



## NOSTALGIA-W

Wall lamp with silk conical or cylindrical shade option - white or black. All light fixtures are triple plated and made out of solid brass

### DETAILS.

#### FINISHES AVAILABLE IN:

##### STANDARD FINISHES:

- MS - SOLID BRASS POLISHED, LACQUERED
- NI - SOLID BRASS, NICKEL PLATED
- MT - SOLID BRASS MATT BRUSHED, LACQUERED
- NM - SOLID BRASS NICKEL PLATED, MATT BRUSHED
- CR - SOLID BRASS, CHROME-PLATED
- CU - SOLID BRASS COPPER PLATED, LACQUERED
- CM - SOLID BRASS COPPER PLATED, MATT BRUSHED, LACQUERED
- BR - SOLID BRASS, BRONZED, LACQUERED
- BD - SOLID BRASS, DARK-BRONZED, LACQUERED

#### CUSTOM FINISHES:

- MP - SOLID BRASS, UNLACQUERED (NOT SHOWN)
- NI-LACK - SOLID BRASS, NICKEL PLATED LACQUERED (NOT SHOWN)

1 X MAX 150W E26 LED, DIMMABLE (BULBS NOT INCL.)

OVERALL SIZE: 12.2" H X 7.5" D

CONICAL SHADE: 6.1" H X Ø5.5" (BOTTOM) X Ø3.9" (TOP)

CYLINDRICAL SHADE: 6.1" H X Ø5.5"

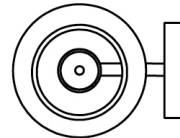
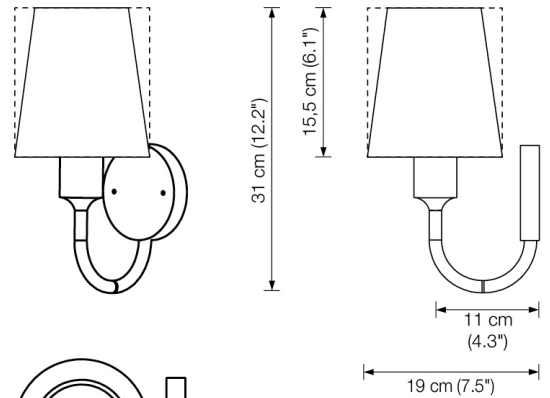
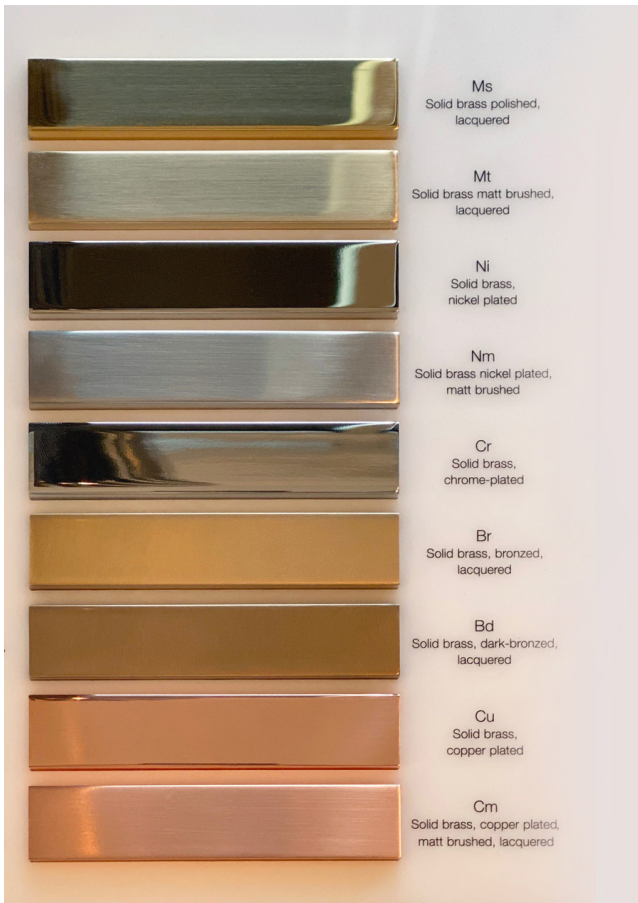
\*US 4" J-BOX NOT COVERED - Ø4.7" BACKPLATE REQ.

\*\* 110V CONVERSION KIT REQ.

NOSTALGIA-W



# NOSTALGIA-W



Conical Shade:  
 Ø 14 cm, h 15,5 cm, Ø 10 cm  
 (Ø 5.5", h 6.1", Ø 3.9")

Cylindrical Shade:  
 Ø 14 cm, h 15,5 cm  
 (Ø 5.5", h 6.1")

Optional US Backplate:

