



DL2-D3-LP

Seamless, 2" low profile LED, low-voltage downlight with simple plug and light installation. Fully dimmable from 100 to 1%; adjustable from 0-45° and 360° rotation. Dim to Warm available. US tested to UL standards 1598, dry/damp and wet listings.

Title 24, JA8 compliant.

*TS/SS option available, wet listed for showers.

Face Finish: Black, White or Clear Anodized

Recessed Color: Black

**Custom color available with upcharge.

DETAILS.

LIGHT MODULE SIZE: Ø1.9" X 6.8" H

***SHALLOW OPTION AVAILABLE.

TRIM OPTIONS/SIZE:

(TT) TRIMLESS TRIM - 2.1" DIA.

(M) MUD-IN TRIM - 2.1" DIA.

(RT) ROUND TRIM - 2.6" DIA.

(ST) SQUARE TRIM - 2.6" X 2.6"

PROFILE OPTIONS:

(S) - STRAIGHT

(A) - ADJUSTABLE 0-24°

(W) - WALL WASH 21-45°

17W 56LM/W, ELV OR 0-10V DIMMING, 1%, 120-277V

***UP TO 5 UNITS IN COMBINATION OF DAISY CHAIN AND/OR 4X HOME RUN (MAX WIRE LENGTH 100FT).

COLOR TEMPS:

WARM-DIM: 23-27/3000K, 18-27/3000K

NO WARM-DIM: 2700K, 3000K OR 3100K

CRI 90+

BEAM OPTIONS:

(WB) WIDE BEAM-60, (MB) MEDIUM BEAM-40 OR (NB) NARROW BEAM-20

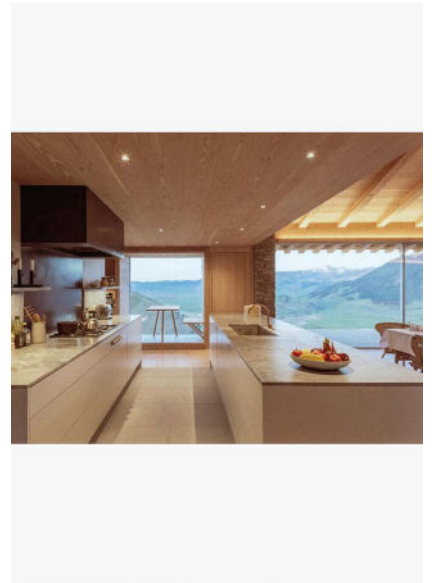
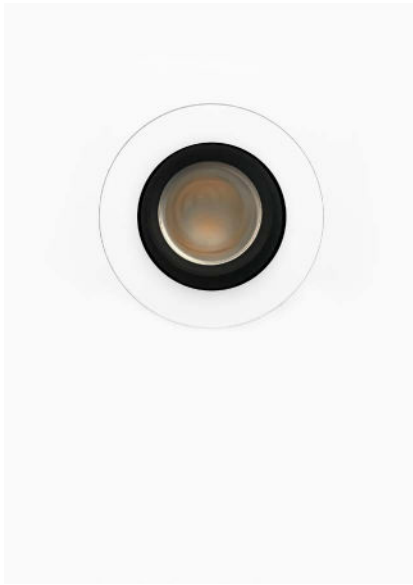
HOUSING TYPES:

IC - IC

NIC - NEW CONSTRUCTION, IC NOT REQUIRED

UL LISTED, TITLE 24, JA8 COMPLIANT

DL2-D3



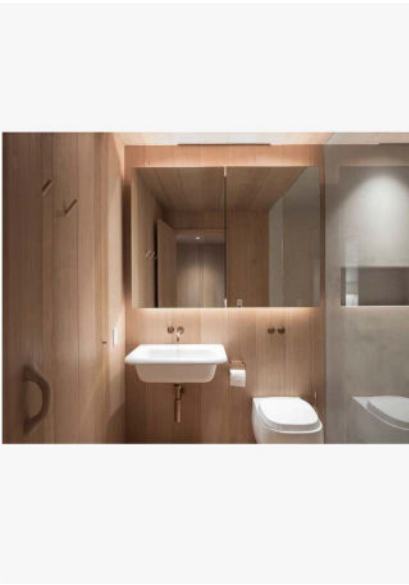
II PL

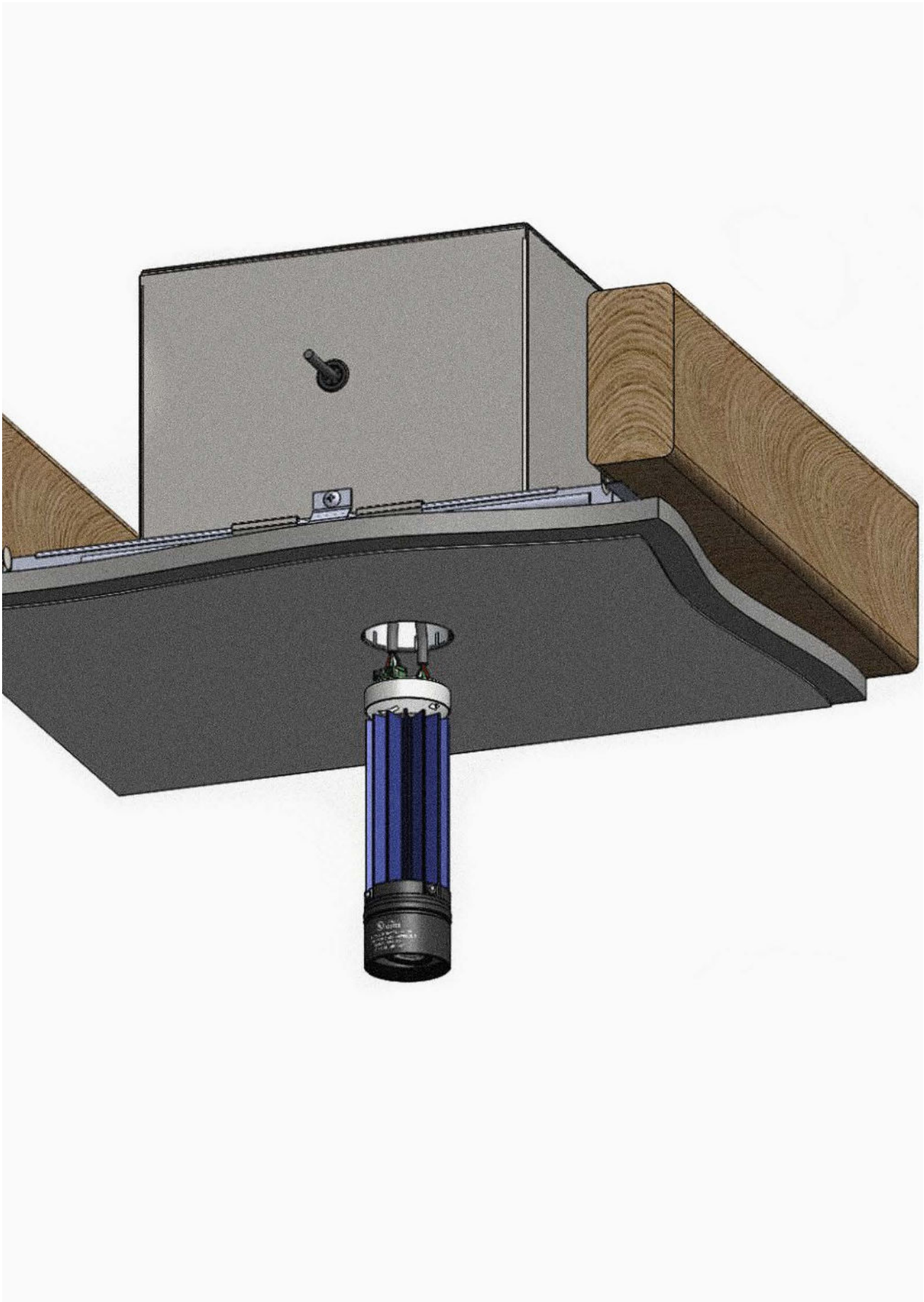
PLUGLIGHTING.COM
INFO@PLUGLIGHTING.COM

5665 MELROSE AVENUE
STE 108 LOS ANGELES 90038

P. 323 467 5635
F. 323 467 5634

DL2-D3





II P L

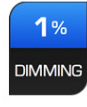
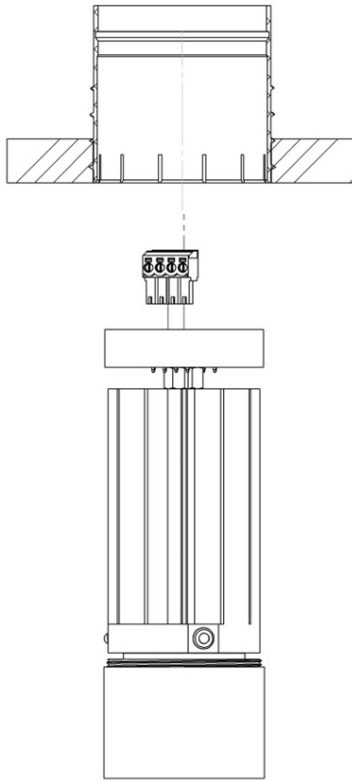
PLUGLIGHTING.COM
INFO@PLUGLIGHTING.COM

5665 MELROSE AVENUE
STE 108 LOS ANGELES 90038

P. 323 467 5635
F. 323 467 5634

DL2-D3 2" LED DOWNLIGHT

V.1.8.5
1/20/23



Benefits

- Simple Plug & Light Installation
- Low Voltage, Remote Transformer
- Daisy chain up to 5 units
- Cable length from PS up to 200 feet.
- Equal light output performance due to electronic line loss compensation.
- Consistent CCT between light fixtures.
- True 2" inch footprint, fits 2" hole-saw opening.
- Light unit accessible and interchangeable from below.

Features

- Seamless and fully dimmable (100%→1%)
- Warm-Dim feature available
- Straight, Adjustable, and Wall Wash version available
- Wide, Medium, and Narrow beam angle options
- Fully recessed, adjustable from 0° to 45° and 360° rotation
- Fits Messana Raymagic radiant panels.
- JA8-2019 Listed (CA Title-24)
- ASTM E283 Air-Tight Construction
- UL IC rated*2

SPECIFICATIONS

	DL2-D3
Housing	Anodized Aluminum
Style	Straight / Adjustable / Wall Wash
Dimensions	2" Ø x 6.8" [Ø x H]
Weight	0.6lb / 250g
Environment	Dry, Damp, Wet locations*1
Mounting	Patent Pending EST Shroud, Self-mounting Push In System
Light cover	Frosted Polycarbonate Diffuser
Input voltage	36 VDC, Class 2 – Low Voltage
Power Supply	EST PCU-4 36VDC Class 2 (100W) EST PCU-4 27VDC Class 2 (100W) for wet location light
Electrical Connection	4-Conductor screw in terminal connector plug
Cable from PCU to Light & between Lights	CMR Rated, 18/4 gauge, 105°C (90°C Min.)
Wattage	17W
Efficacy	56 Lm/W
LED Light engine	LM80 certified; UL filed 357031
Color temperature (CCT)	2700K / 3000K / 3500 K & ESTech Dim To Warm 1800K-3200K for ESTech Color Change (Programmable)
Color Rendering Index (CRI, Ra)	98 typical 95 typical
Lumen output	800 - 1000 Lm
Beam angle field interchangeable	Wide / Medium / Narrow
Light beam	Soft Edged
Dimming	Seamless & Fully dimmable (ELV, 0±10V)
Life Time	60,000+ Hrs at 70% lumen maintenance
Warranty	3 Years
Certifications	Listed UL IC*2 / Non-IC (E464414) JA8-2019 Listed (CA Title-24) ASTM E283 Air-Tight

DL2-D3 2" LED DOWNLIGHT

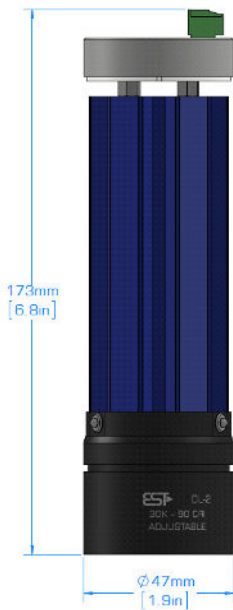
V.1.8.5
1/20/23

DOWNLIGHT DIMENSIONS

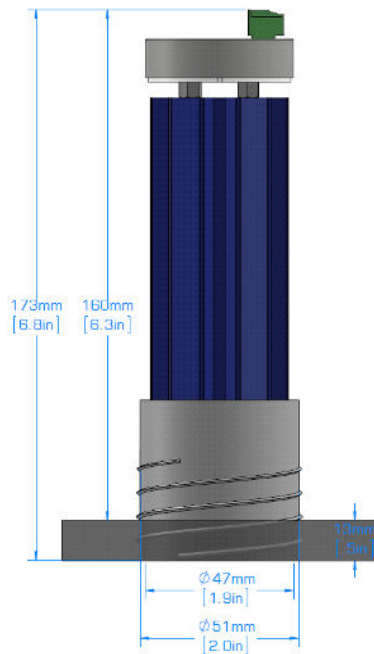
The images below show the major dimensions of the EST DL2-D3 downlight.

The DL2 luminaire is designed to reliably restrict air flow to less than 2CFM to confirm to California Air-Tight **IC Rated Installations.**

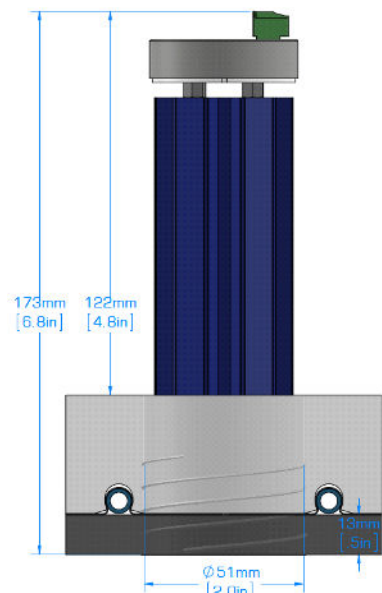
DL2 Light module size



Installed DL2 module within 1/2" sheetrock.



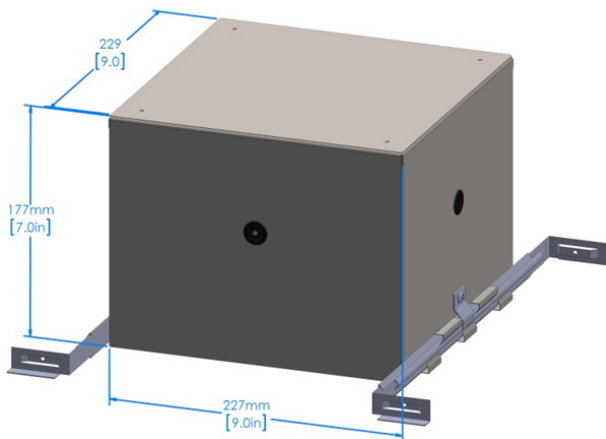
Installed DL2 module within RayMagic Radiant heating panel.



For IC installations the DL2 luminaire must be installed within a minimum housing size of 5.4"x9"x9" to keep insulation away. Standard IC housing size to fit the DL2 with a 0.5" gypsum ceiling is 7"x9"x9"; DL2-IC-799.

DL2-IC Housing for standard installation; Part number: DL2-IC-799

DL-IC-799 Size: 7"x 9"x 9"

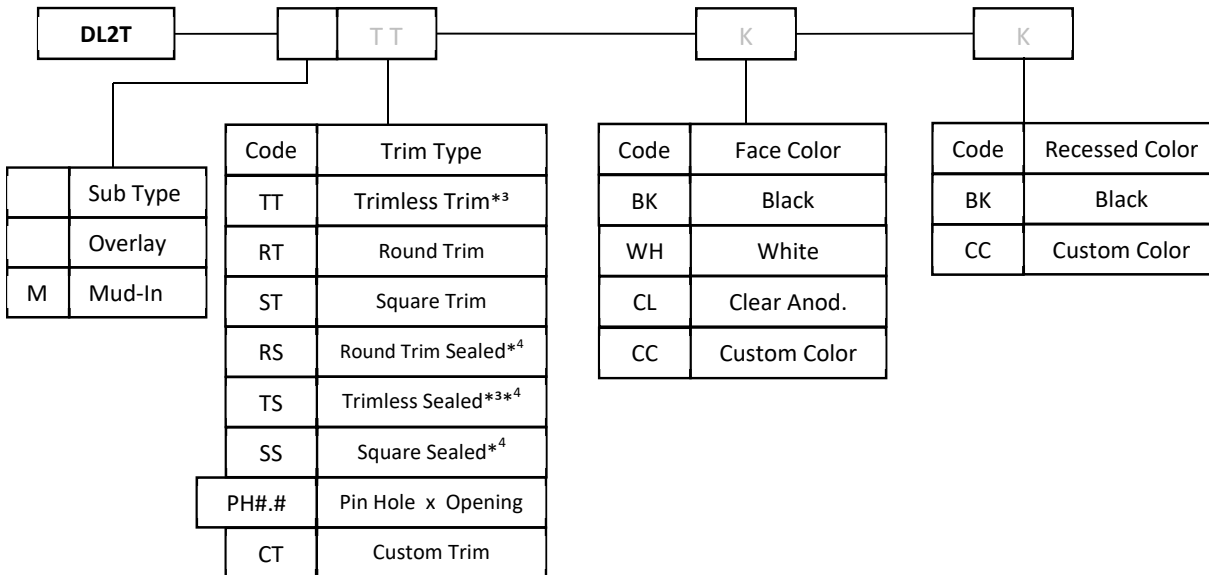
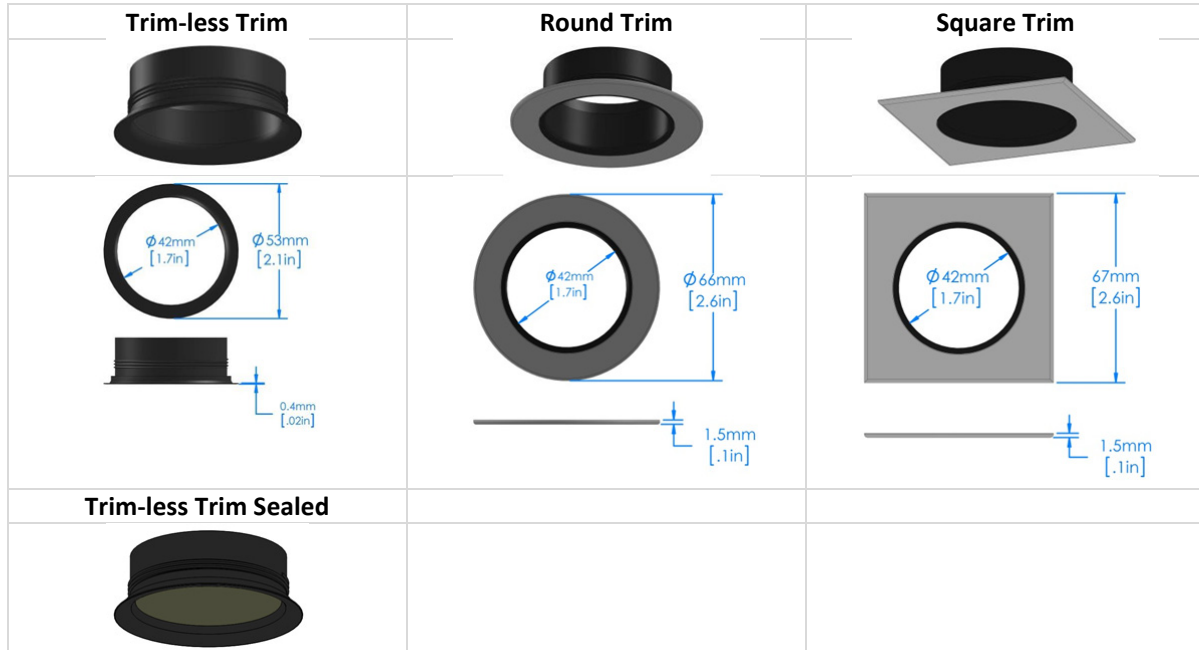


For smaller housing height with use in Messina, RayMagic radiant heating applications please contact us.

DL2-D3 2" LED DOWNLIGHT

V.1.8.5
1/20/23

DL2 Trim Options & Order Information



Example: **DL2T-ST-CL-BK**

Product	DL2 Trim
Type	Square Trim Type
Face Color	Clear Anodized
Recessed Color	Black

*³ Trim-less Trim can only have a single color combination.

*⁴ Wet Location luminaires requires use of sealed trim types.

DL2-D3 2" LED DOWNLIGHT

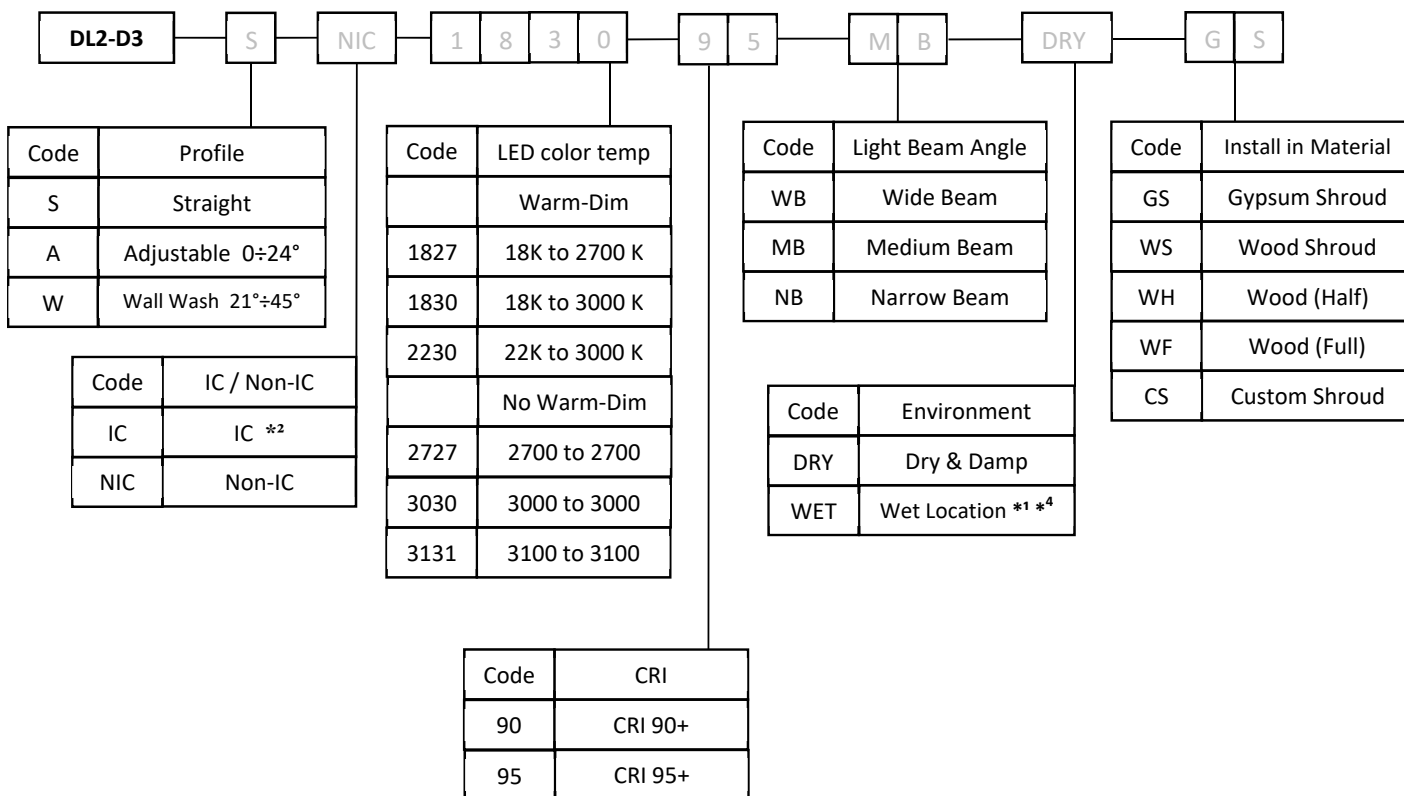
V.1.8.5
1/20/23

DL2 Luminaire Order Information

To order select desired option from each category and place in the corresponding box. Available options are shown and described on the previous pages or in the part numbers catalog. For additional options not shown in the catalog, please contact us.

⚠ The DL2-D3 requires a **4-conductor wire** from PCU to light fixture and for daisy chains between light fixtures. **⚠**

* Information displayed in gray is the standard configuration.



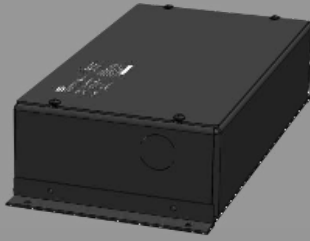
Example: **DL2-D3-NIC-S-1830-98-MB-DRY-GS**

Product	DL2-D3
Rating	Non-IC
Lamp Module	Straight Down light
LED Color	Warm Dim from 1800K to 3000K
CRI	98 CRI
Light Beam	Medium Beam
Location/Environment	Dry & Damp Locations
Installation in Material	Shroud for Gypsum (Drywall/Sheetrock)

- *1 Wet-location requires 27VDC Class 2 Power supply (PCU-DL2-W) and DL2-D3 wet location unit.
- *2 **UL IC rating** requires the DL2 luminaire to be installed within a minimum metal HOUSING size of 9"x9"x5.4" supplied by ESTech.
- *4 Wet Location luminaires requires use of sealed trim types.

PCU-4 DL2 Power Control Unit

V.3.1.6
8/15/19



Part

PCU-4-DL2 [ELV Dimming]
PCU-4-DL2-010 [0±10V Dimming]

Benefits

- Complete solution
- Safe Class 2 Power Supply
- UL Listed
- Plug & Play Lamp Installation
- No assembly required
- High efficiency
- Cable length to Light up to 100 feet.
- Mounting screws included
- Drives up to 5 DL2 luminaires (100W)

Features

- Seamless and fully dimmable.
- Integrated short circuit protection
- Reverse polarity and overload protection
- 4x Home Run option. (Max wire length 100 feet).
- Daisy chain option
- Drives up to 5 DL2 luminaires

Installation

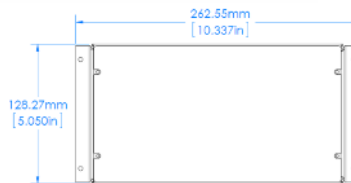
- Install in compliance with local NEC codes.
- Maximum of 5 DL2 lights per PCU.

- Power control unit for EST DL2 LED Downlight series.
- Fully dimmable power supply including J-Box.

SPECIFICATIONS

	PCU DL2 Series
Housing	Black Anodized Aluminum
Dimensions	2.4" x 5.1" x 10.4" [H x W x L]
Weight	2.2 lbs
Environment	Indoor
Mounting	4x Screws #6 x 1/4" (included)
Input	120 VAC, 50-60 Hz
Power Supply	Class 2, UL Listed
Output	36 VDC, 2.65A Max
Maximum wattage	100 W
Input Port	1/2" knock out
Output connector	Screw terminal connector plugs (included)
Operating Environment	Dry and ventilated area. TA 104°F (40°C) MAX
Dimming	Electronic low voltage wall dimmer switches / system Or Ordered to use for 0±10V Dimming
Warranty	3 Years

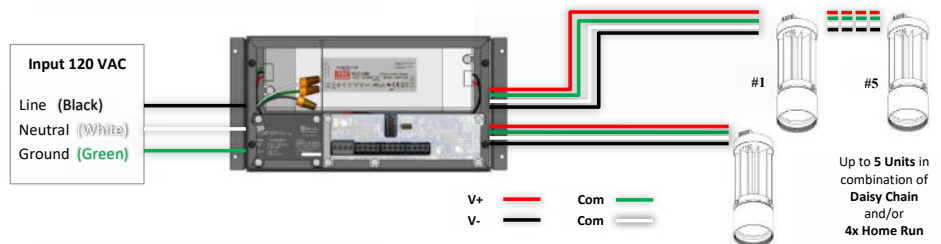
DIMENSIONS



ELECTRICAL SPECIFICATIONS

Max. Output Power (W)	Output Voltage (VDC)	Max Output Current (A)	AC Input voltage Range	Protection	Operating Temp. Range (F°/C°)
100	36	2.65	90~264VAC	Polarity and Temperature auto-recovery	32-104°F (0-40°C)

WIRING DIAGRAM



DIMMER COMPATIBILITY

Dimmer Type	Dimming level
Lutron Wall Dimmer DVELV	1-100%
Lutron Graphic Eye PHPM-PA	1-100%
Lutron Home Works HW-RPM-4A	1-100%

⚠ Do NOT use Lutron CFL/LED dimmer

CONNECTOR AT PCU

- 4x Individual Plugs
- Plug & Play

