



928BL BEAM MOUNT PROJECTOR

This Surface framing Projector with a Beam Mounting system, allows white high color rendering LED light to enhance art. The LM Lighting Modules include the driver, LED Chip, proprietary optics and cooling system. 928BL provides rotational adjustment using lockable fastening systems. A dual heat sink technology provides optimum LED cooling. A separable beam mount wiring box is provided to house the LED Driver. The wiring box can be fastened to the side of an exposed beam, wall, or directly to a wood or concrete ceiling.

DETAILS.

AVAILABLE IN:

ALU – NATURAL ALUMINUM

BLK – BLACK

WHT - WHITE

5 9/16" - 6 11/16" W (DEPENDING ON BEAM SPREAD) X 3 7/16" H

1 X 20W LED, 120/277 VAC INPUT

LIGHT MODULE (DIMMER): 2 WIRE FORWARD/REVERSE PHASE OR 4-WIRE/ECOSYSTEM

COLOR TEMP: 2700K OR 3000K

CRI: 90 OR 98

OBJECTIVE LENSES: 12°, 25°, 45°, 60°, 90°

LIGHT BORDER:

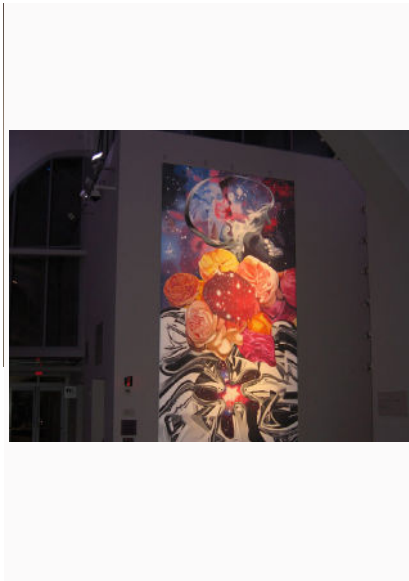
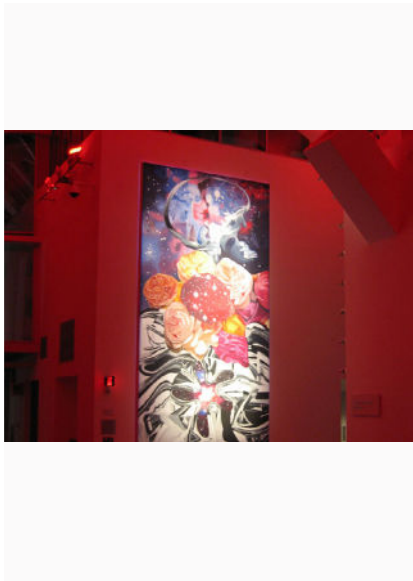
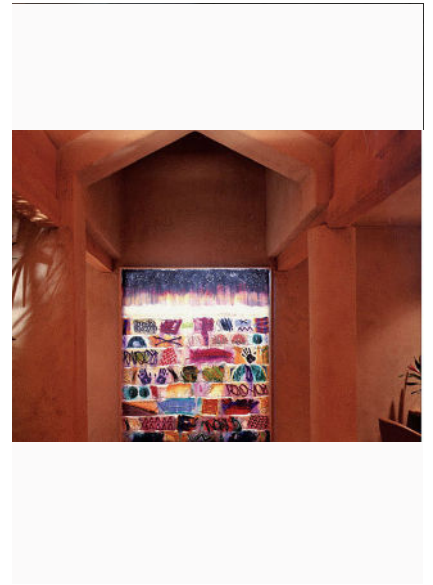
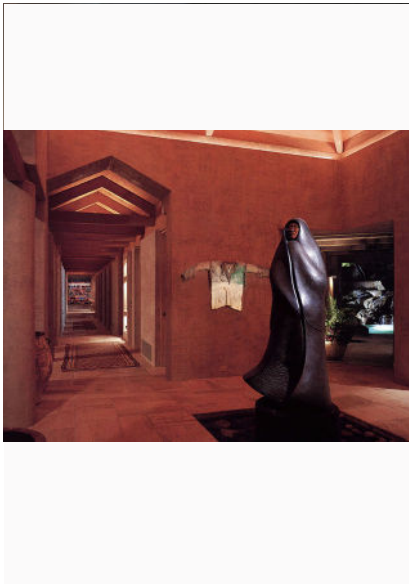
FB (STANDARD) – FOCUSED LIGHT BORDER

FI – FADE IN@ LIGHT BORDER

*LIGHT CONTROL ACCESSORIES AVAILABLE.

UL LISTED, TITLE 24 JA8 – DAMP LOCATION

928BL BEAM MOUNT PROJECTOR



Wenlux® 928BL
Beam Mount Optical Projector
LED

The Wenlux® 928BL is a Surface framing Projector with a Beam Mounting system. A white high color rendering LED light was discriminately selected to enhance art. A shaped light mask framed to art accentuates focus. Precision ground lenses focus upon independently locking light masking shutters for a securely shaped Focused Light Border "FB" (standard). For our proprietary Fade In® Light Border specify "FI."

The Wenlux LM2 (2 wire) and LM4 (4 wire) Lighting Modules are inseparable. The LM Lighting Modules include the driver, LED Chip, proprietary optics and cooling system. Lighting Modules accept the Projector (Adapter Cone) to which variable beam spread Objective Lens Focus Tubes are positioned within to highlight subject of many sizes and distances.

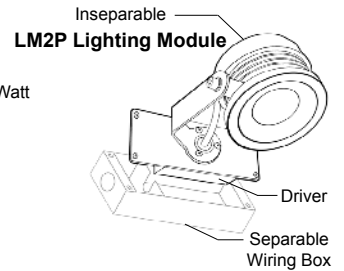
928BL provides rotational adjustment using lockable fastening systems. A dual heat sink technology provides optimum LED cooling. A separable beam mount wiring box is provided to house the LED Driver. The wiring box can be fastened to the side of an exposed beam, wall, or directly to a wood or concrete ceiling.



Patent 9458991 B2
Wendelighting reserves the right to make changes without notice.

LM2P LIGHTING MODULE SPECIFICATIONS (CA T24-JA8)

- Power:** 120/277 VAC Input - 20 Watts
- Wire Box:** Wiring Box Houses Driver
- Driver/LED:** LM2P with 2790 Chip and Primary Optics JA8 Tested - 1300 Lumens @ 500mA (for tested life) - 67 Lumens/Watt (Estimated 1200 Lumens @ 450mA) JA8 Allowance on all LED Chip Options
- Optics:** Proprietary
- Luminaire:** Aluminum
- Dimmer:** 2 Wire Forward / Reverse Phase
- Mounting:** Beam - Ceiling - Wall
- Listings:** - UL / CUL - Damp Location - Dead End Class 1 Wiring Only (No Feed Through)
- California Title 24 Residential Lighting JA8 Recessed Tested Listing (See wendelighting.com/resources)



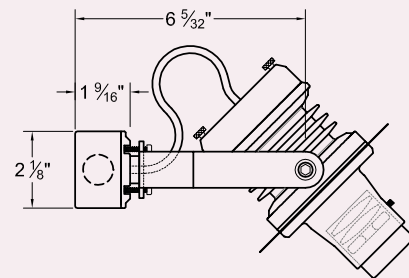
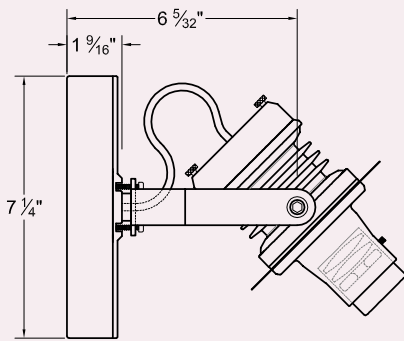
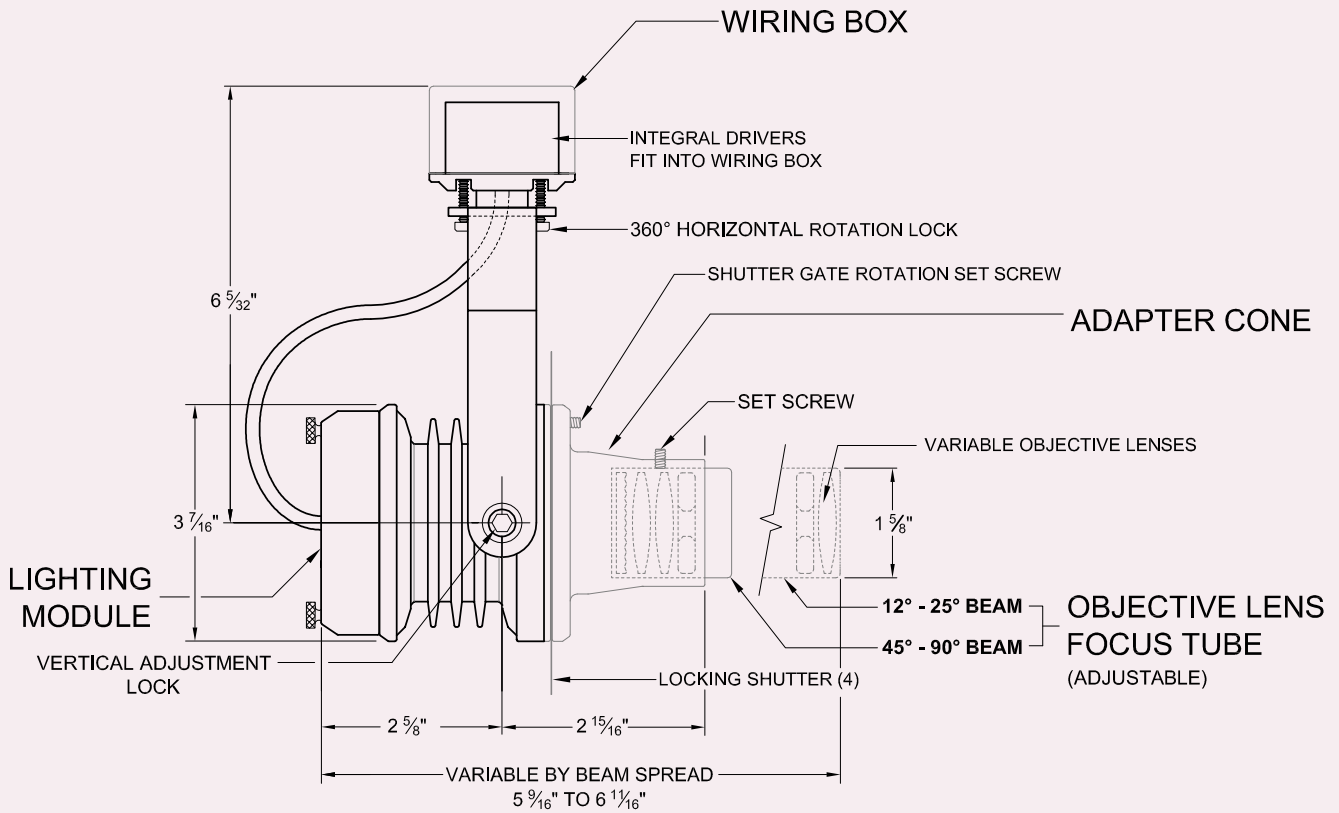
BEAM MOUNT OPTICAL FRAMING PROJECTOR OPTIONS

928	BL	LM					
Adapter Cone:	Beam Mount Wiring Box	Lighting Module: (By Driver Type)	LED Chip Options (Chip Values) (@ 450mA:)	Objective Lens Focus Tube (Beam Spread):	Light Border:	Fixture Color:	Light Control Accessories:
Optical Framing Projector		LM2P (Standard) Philips Xitanium 2 Wire Driver Forward / Reverse Phase Dimmable 2% Use ELV Dimming 120/277V In 450mA Out Listed with CA Title 24 JA8	2798 2700K 98 CRI 1400 Lumens R9 93	12°	FB (Standard) Focused Light Border	ALU Natural Alluminum	SH Extra Shutter (1)
		LM4L Lutron EcoSystem PEQ0 4 Wire Driver Dimmable 0.1% 120/277V In 450mA Out Requires EcoSystem Dimming Listed with CA Title 24 JA8	3098 (Standard Chip) 3000K 98 CRI 1500 Lumens R9 88	25°	FI Fade in® Light Border	BLK Black	MK Light Mask Kit
			2790 2700K 90 CRI 1600 Lumens R9 54	45°		WHT White	SC Scissors
			3090 3000K 90 CRI 1700 Lumens R9 60	60°			UV Ultraviolet Blocking Lens
				90°			1F 100 Kelvin Warming Filter 39mm Diameter

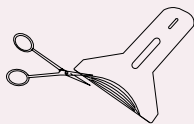
Color Filter Options: Additional 39mm Diameter Dichroic Color Filters Available Through Rosco

Philips and Xitanium are Trademarks of Signify
Lutron, Hi-lume, and Tu-Wire are Trademarks of Lutron Electronics Co., Inc.

Wenlux® 928BL Beam Mount Optical Projector LED



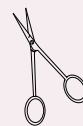
LIGHT CONTROL ACCESSORIES



SH
FIELD CUTTABLE
CURVED ETCH
SHUTTER



LM
LIGHT MASK KIT
FOR MASKING GENERAL FORM
OF NON-RECTILINEAR OBJECTS



SC
SCISSORS



UV
ULTRAVIOLET
BLOCKING
LENS



1F
100 KELVIN
WARMING FILTER

PATENT 6,612,0761B2, ADDITIONAL PATENTS PENDING