



TIGA IN LED

Medium sized rectangular interior lighting fixture, delivering up and downward lighting effect. Asymmetric beam angle achieved with Tiga V-Plate (optional).
Also available as exterior IP65 version.

DETAILS.

FINISHES AVAILABLE IN (EXTERIOR/INTERIOR REFLECTOR):

BLACK / GOLD MATT

WHITE / WHITE

SIZE: 4 1/8" H X 5 1/8" W X 3 9/16" D

8W 399 LM 49 LM/W

CRI 90 120V

COLOR TEMPS AVAILABLE:

2700K, 3000K OR 3500K

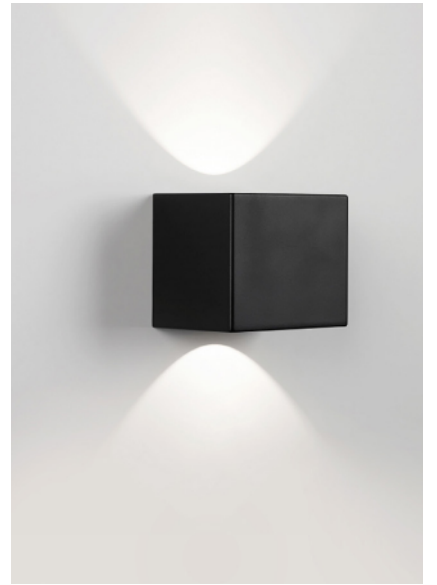
IP20 – SUITABLE FOR DRY/DAMP LOCATIONS.

ETL LISTED

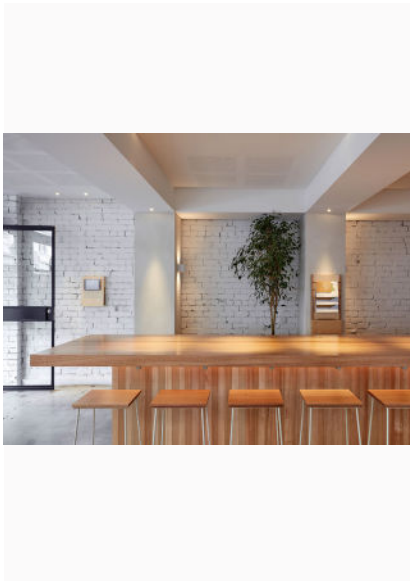
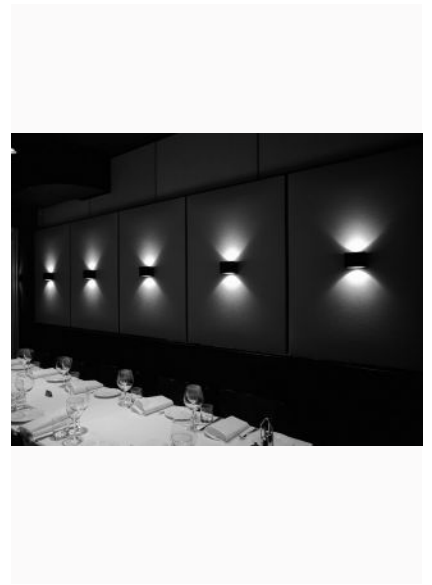
LED POWER SUPPLY INCLUDED – 350MA DC

*OTHER VOLTAGES OR DIMMING OPTIONS AVAILABLE.

TIGA IN LED



TIGA IN LED





CRI > 90	TIGA IN LED
3500 K	LED 7.1W / 798lm / 350mA 6 223 753 811 952 ◇ ◇ = B-MMAT / W-W
3000 K	LED 7.1W / 774lm / 350mA 6 223 753 811 932 ◇ ◇ = B-MMAT / W-W
2700 K	LED 7.1W / 743lm / 350mA 6 223 753 811 922 ◇ ◇ = B-MMAT / W-W

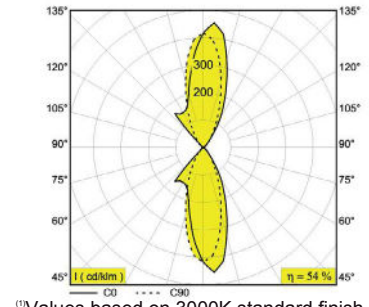
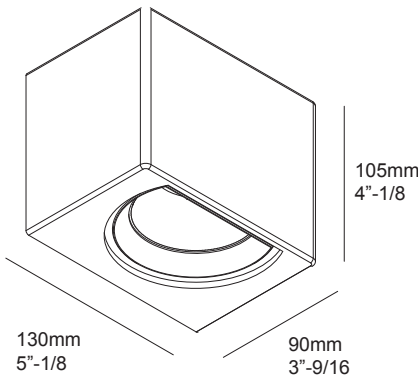
120V / 60Hz

29 IP20 DAMP

FULL INFO
TECHNICAL CHAPTER

ACCESSORIES

TIGA V-PLATE ◇
223 753 01 ◇
◇ = B / W



Application
Wall surface
For indoor and outdoor use

Color Finish
W-W - White-White
B-MMAT - Black-Mat Gold

Light Source
LED cluster included 7,1W

Delivered Lumens
359lm at 2700K
374lm at 3000K⁽¹⁾
386lm at 3500K

Power Supply
Electronic power supply included.
120V input, 350mA current controlled required

Specification features
Surface treated aluminum housing
Suitable for dry or damp locations
Protected against solid objects greater than 12mm | 1/2" → IP20
Weight: 2,9lbs 1,3kg

Dimensions
Height: 105mm = 4"-1/8
Depth: 90mm = 3"-9/16
Length: 130mm = 5"-1/8

PROJECT INFO

Date _____

Client _____

Project Name _____

Type/Quantitt _____