



## SEAPOD 21

Polished nickel frame with glass marble balls in various circular shapes.

Design by: Anthony Critchlow

**DETAILS.**

**AVAILABLE FINISHES: POLISHED NICKEL, CHROMITE, GOLD, WARM GOLD, COPPER BRONZE, LACQUER, MIDNIGHT BRONZE AND BLACK CHROMITE.**

**SIZE: 21" H X 8" W**

**1 X 40W E12 INCANDESCENT, 120V**

**WIRED TO CE & UL STANDARDS**

SEAPOD 21



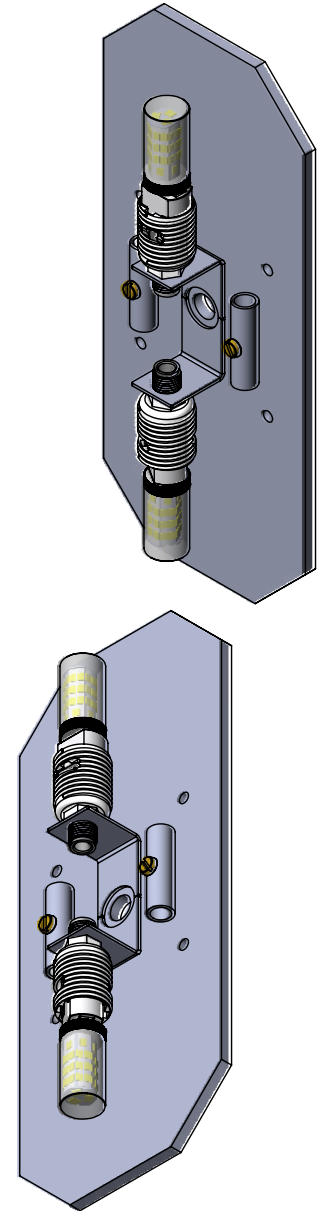
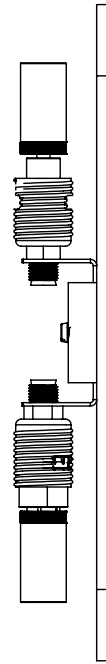
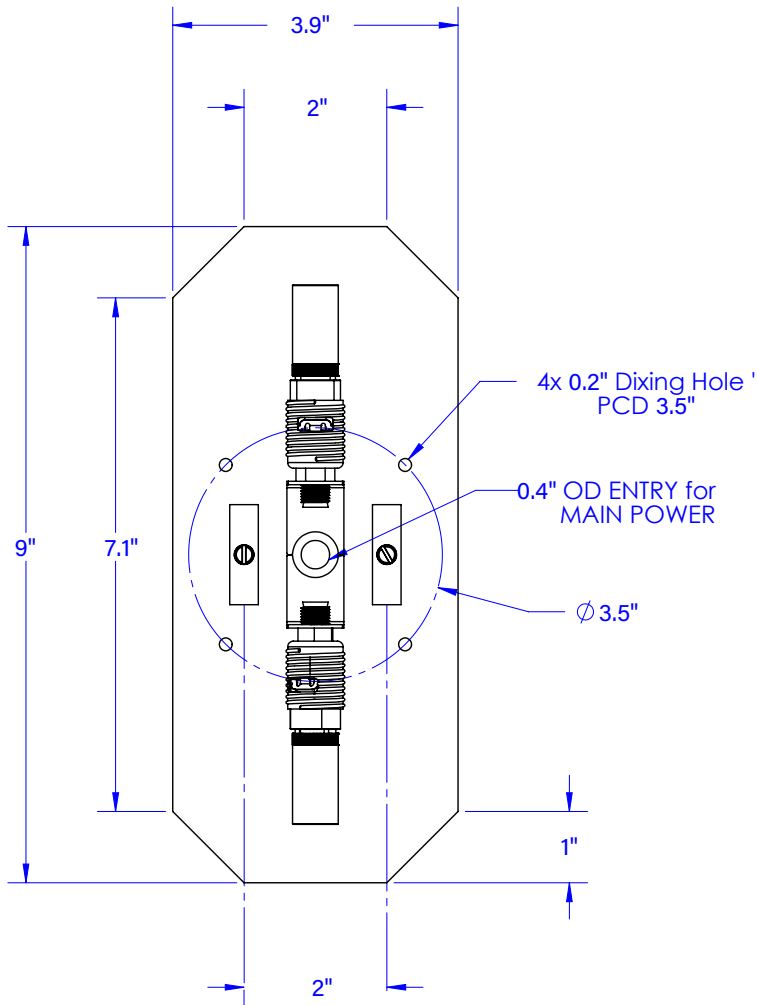
**II PL**

PLUGLIGHTING.COM  
INFO@PLUGLIGHTING.COM

5665 MELROSE AVENUE  
STE 108 LOS ANGELES 90038

P. 323 467 5635  
F. 323 467 5634

SEAPOD 21



IIPL

PLUGLIGHTING.COM  
INFO@PLUGLIGHTING.COM

5665 MELROSE AVENUE  
STE 108 LOS ANGELES 90038

P. 323 467 5635  
F. 323 467 5634