



## SIRENS SU

Made of aluminum, frosted glass and mirror, this fixture is available in 3 variations: mirror, lighting (diffuser glass), or illuminated mirror (frosted glass with small, big or edge mirror). Also available as ceiling/wall lamp.

Design by Olga Bielawska, 2013

### DETAILS.

#### FINISHES AVAILABLE IN:

BLACK  
COPPER  
WHITE

DIAMETERS AVAILABLE IN: 8.3" X 6.3" H OR 10.4" X 8.7" H

\*Ø6.3" AVAILABLE FOR MIRROR VERSION ONLY.

CANOPY SIZE: Ø2" X 2 1/2" H

SUSPENSION LENGTH: 79"

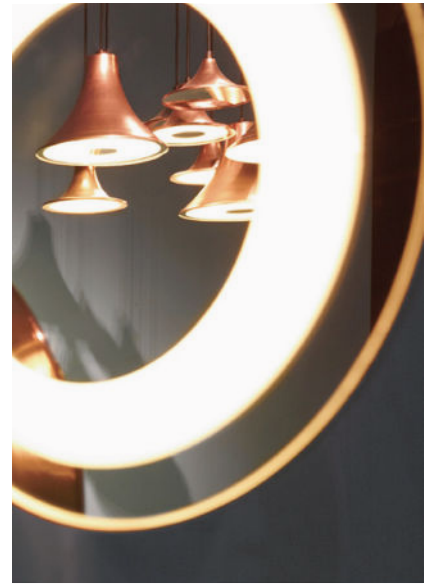
20W E27-LED OR FLUORESCENT

110-230V, IP50

SIRENS SU



SIRENS SU

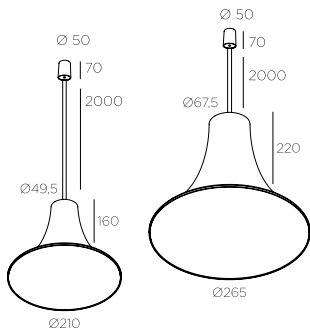


**II PL**

PLUGLIGHTING.COM  
INFO@PLUGLIGHTING.COM

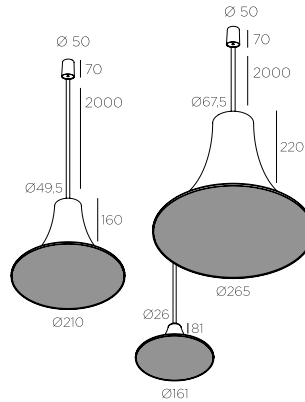
5665 MELROSE AVENUE  
STE 108 LOS ANGELES 90038

P. 323 467 5635  
F. 323 467 5634



## SIRENS SU diffuser glass

Design by Olga Bielawska



## SIRENS SU mirror

Design by Olga Bielawska

### Material

aluminium - diffuser glass

### Material

aluminium - mirror



### Finish

copper - black - white

### Finish

copper - black - white

### Lightsource

E27 - energy saving lamps

### Specifications

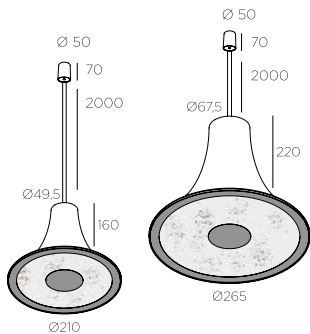
indoor  
suspension

### Connection

230V

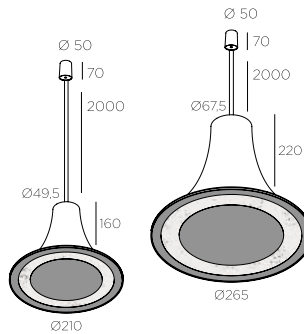
### Specifications

indoor  
suspension  
class II  
IP50



## SIRENS SU frosted glass - small mirror

Design by Olga Bielawska



## SIRENS SU frosted glass - big mirror

Design by Olga Bielawska

### Material

aluminium - frosted glass - mirror

### Finish

copper - black - white

### Lightsource

E27 - energy saving lamps

### Connection

230V

### Specifications

indoor  
suspension  
class II  
IP50

### Material

aluminium - frosted glass - mirror

### Finish

copper - black - white

### Lightsource

E27 - energy saving lamps

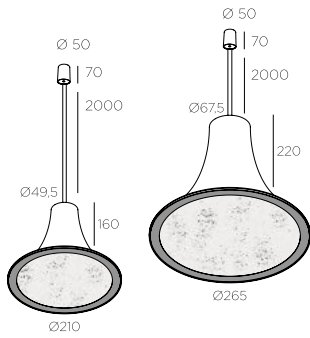
### Connection

230V

### Specifications

indoor  
suspension  
class II  
IP50





## SIRENS SU frosted glass - edge mirror

Design by Olga Bielawska

---

### Material

aluminium - frosted glass - mirror



### Finish

copper - black - white

### Lightsource

E27 - energy saving lamps

### Connection

230V

### Specifications

indoor  
suspension  
class II  
IP50