



## WALKWAY LITE

The Walkway Lite PURE LED has a subtle, unobtrusive appearance that allows it to blend into a landscape while providing a soft, effective pathway illumination without a glare. Constructed from solid copper with a solid brass elbow and stainless steel grub screws.

### DETAILS.

#### FINISHES AVAILABLE IN:

SOLID COPPER

316 STAINLESS STEEL

SIZE: Ø1" X 27" H

ANGLED HEAD: 6 1/2" W

RETRO BASE: Ø2 1/2"

MAX 700MA, CRI 90

#### COLOR TEMPS AVAILABLE:

2700K, 3000K, 4000K

BEAM ANGLE: ASYMMETRIC

#### POWER OPTIONS:

S - SERIES, REMOTE DRIVER

D3 - 12V AC, 2W INTEGRAL DRIVER

D7 - 12V AC, 4W INTEGRAL DRIVER

R - RETRO, 110/240V DRIVER

\* REMOTE DRIVER WIRED IN SERIES. INTERNAL DRIVER WIRED IN PARALLEL.

IP44 - RATED FOR WET LOCATIONS.

\* OTHER ACCESSORIES AND LAMP OPTIONS AVAILABLE.

UL LISTED

WALKWAY LITE

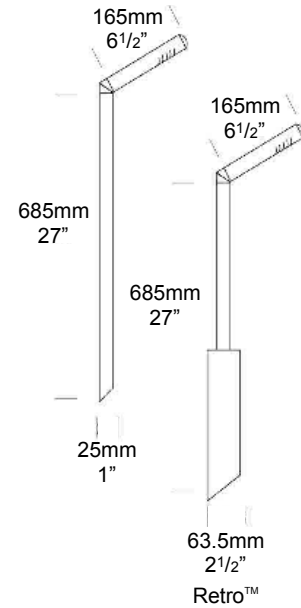


# Walkway Lite

## PURELED SPECIFICATIONS

<b>LED Chip</b>	Cree XPG-3 Plug and Play field replaceable LED board
<b>Luminaire Output</b>	120 Lumens @ 700mA (2 watts), delivered from luminaire with unobstructed beam.
<b>Lumens Per Watt</b>	60 Lumens minimum @ 2 watts, delivered from luminaire with unobstructed beam
<b>CRI (3000K)</b>	90+
<b>Colour Temperatures</b>	2700K, 3000K, 4000K
<b>Beam Angles</b>	Asymmetric
<b>Ingress Protection</b>	IP44

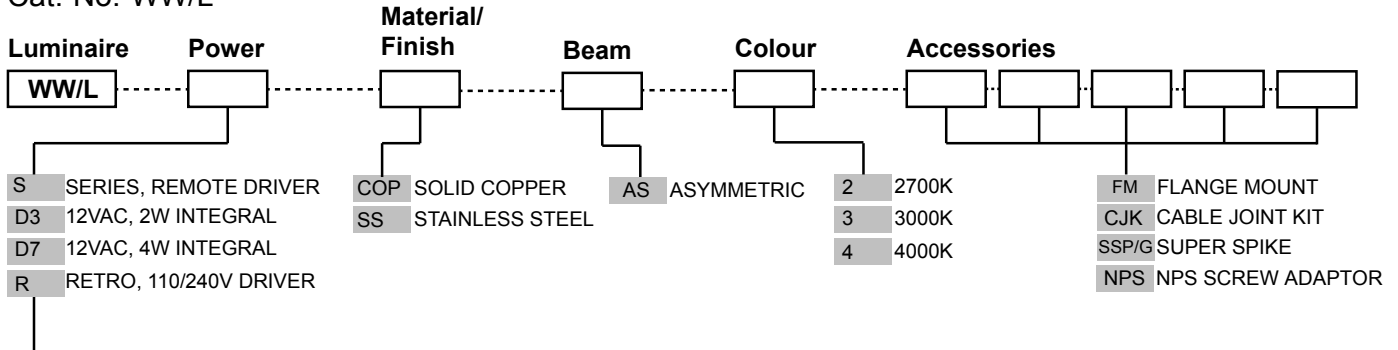
<b>Warranty</b>	Electronics = 5 years Body Cop/SS = 10 years
<b>Standards</b>	AS/NZS 61046 cUL 1838, 2108 CSA C22.2 No.250.7, No.250.0-08 CE



## PRODUCT CONFIGURATION

Please fill in appropriate codes into boxes provided

Cat. No. WW/L



**SERIES, REMOTE DRIVER REQUIRED:**  
Constant current driver  
Individual fixtures require 3vdc @ 700mA maximum  
**12VAC INTEGRAL DRIVER:**  
Hunza Buckbullet driver (included)  
Input: 12VAC, 2watt total  
Output: 3vdc @ D3=350mA, D7=700mA  
**110/240VAC RETRO DRIVER:**  
Input: 120/240vac, 2 watt total (included)  
Output: 3vdc, 700mA  
0-10 volt dimming (USA - non dimming)

OTHER LAMP OPTIONS:  
WW /H - G4 Halogen 12V Lamp  
WW /GL - G4 LED Retrofit 12V Lamp (lamps vary by market - please refer to supplier for details)

[Click here for halogen specification sheet](#)

[Click here for 240v Remote Power Supply Guidance Charts](#)

[Click here for USA Remote Power Supply Guidance Charts](#)

# LUMINAIRE CONSTRUCTION

## CNC machined from one of the following

### metals:

#### Copper

Pole: solid copper 25.4mm (1") rod.

End cap: solid copper 25.4mm (1") rod.

#### 316 Stainless Steel

Pole: 316 stainless steel 25.4mm (1") rod.

End cap: 316 stainless steel 25.4mm (1") rod.

**Elbow:** investment cast in brass or stainless steel

#### Lens:

22mm (3/4") extra clear low iron flush fit shatter resistant glass tube.

Lifetime warranty.

#### Gaskets:

Silicone, iron impregnated 220°C (428°F).

## Mounting

The pole 685mm (27") is directly mounted into the earth or concrete. For extra stability in sand or loose ground use the Super Spike. Flange Mount option is available for hard surfaces.

## Luminaire Weight:

Low voltage

Cop: 1.100kg (2lb 6oz)

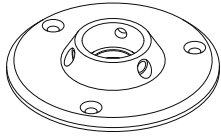
SS: 1.100kg (2lb 6oz)

Retro™

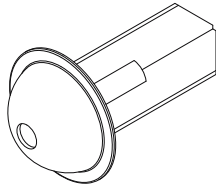
Cop: 2.380kg (5lb 3oz)

SS: 2.380kg (5lb 3oz)

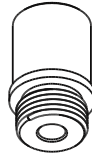
# ACCESSORIES



Flange Mount



Super Spike



NPS 1/2"  
Screw Mount Adaptor

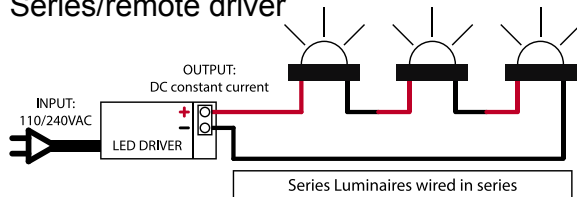
# BEAM ANGLES

High efficiency PMMA TIR lenses. Field replaceable

IES files available for download: [hunzalighting.com/downloads](http://hunzalighting.com/downloads)

# WIRING GUIDE

## Series/remote driver



Diagrams are a guide only, wire colours and polarity may change depending on fixture and country

Available for download: [hunzalighting.com/downloads](http://hunzalighting.com/downloads)

## 12v integral driver

