



## TIER LITE WALL MOUNT

Tier Lite provides 360 degree illumination on a horizontal plane without projecting vertical light. It is ideal for lighting areas like porches and entranceways.

Pole mount version also available.

### DETAILS.

#### FINISHES AVAILABLE IN:

ALUMINUM POWDERCOAT- BLACK, BRONZE, OLIVE GREEN, WHITE, WHITE BIRCH, DARK GREY, SILVER STAR, CORTEN

SOLID COPPER

316 STAINLESS STEEL

SIZE: 6 1/8" H X Ø10 1/4" SHADE

STANDARD BACKPLATE: Ø3 1/16" X 1 1/8" W

RETRO BACKPLATE: Ø3 1/16" X 2 3/16" W

MAX 1050MA, CRI 90

#### COLOR TEMPS AVAILABLE:

2700K, 3000K, 4000K

BEAM ANGLE: 360°

#### POWER OPTIONS:

S - SERIES, REMOTE DRIVER

D3 - 12V AC, 2W INTEGRAL DRIVER

D7 - 12V AC, 4W INTEGRAL DRIVER

D10 - 12V AC, 6W INTEGRAL DRIVER

R - RETRO, 110/240V DRIVER

\*REMOTE DRIVER WIRED IN SERIES. INTERNAL DRIVER WIRED IN PARALLEL.

IP66 - RATED FOR WET LOCATIONS.

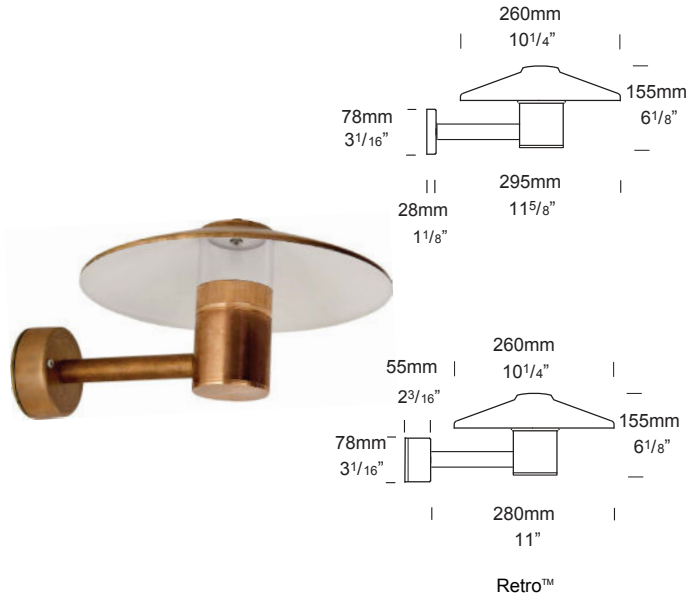
\*OTHER ACCESSORIES AND LAMP OPTIONS AVAILABLE.

UL LISTED

# Tier Lite Wall Mount

## PURELED SPECIFICATIONS

<b>LED Chip</b>	Cree XHP-50-2 Plug and Play field replaceable LED board
<b>Luminaire Output</b>	510 Lumens @ 1050mA (6 watts), 340 Lumens @ 700mA (4 watts), 160 Lumens @ 350mA (2 watts), delivered from luminaire with unobstructed beam.
<b>Lumens Per Watt</b>	85 lumens minimum @ 6 watts, delivered from luminaire with unobstructed beam
<b>CRI (3000K)</b>	90+
<b>Colour Temperatures</b>	2700K, 3000K, 4000K
<b>Beam Angles</b>	360 degrees
<b>Ingress Protection</b>	IP66
<b>Warranty</b>	Electronics = 5 years Body Cop/ SS = 10 years Body Aluminium = 5 years
<b>Standards</b>	AS/NZS 61046, EN60598 cUL 1838, 2108, 1598 CSA C22.2 No. 250.7, No. 250.0-08, No. 250.0 CE



## PRODUCT CONFIGURATION

Please fill in appropriate codes into boxes provided

Cat. No. TLWM/L

Luminaire	Power	Material/ Finish	Beam	Colour	Accessories
TLWM/L					
<b>S</b> SERIES, REMOTE DRIVER <b>D3</b> 12VAC, 2W INTEGRAL <b>D7</b> 12VAC, 4W INTEGRAL <b>D10</b> 12VAC, 6W INTEGRAL <b>R</b> RETRO, 110/240V DRIVER		<b>ALUMINIUM</b> <b>EBK</b> BLACK <b>EBZ</b> BRONZE <b>EOGR</b> OLIVE GREEN <b>EWH</b> WHITE <b>EWB</b> WHITE BIRCH <b>EDG</b> DARK GREY <b>ESTAR</b> SILVER STAR <b>ECT</b> CORTEN <b>COP</b> SOLID COPPER <b>SS</b> STAINLESS STEEL	360 360°	<b>2</b> 2700K <b>3</b> 3000K <b>4</b> 4000K	<b>WBAP</b> WALL BOX ADAPTOR <b>CJK</b> CABLE JOINT KIT <b>BOLOP</b> OPAQUE LENS

**SERIES, REMOTE DRIVER REQUIRED:**  
Constant current driver  
Individual fixtures require 6vdc @ 1050mA maximum

**12VAC INTEGRAL DRIVER:**  
Hunza integrated plug and play driver (included)  
Input: 9-15VAC  
Output: 6vdc @ D3=350mA, D7=700mA, D10=1050mA (1050mA limited to ≤ 40°C (104°F) ambient temperature in stainless steel)

**110/240VAC RETRO DRIVER:**  
Input: 120/240vac, 5 watt total (driver included)  
Output: 6vdc, 700mA (non dimming)

**OTHER LAMP OPTIONS:**  
 TLWM/H - MR16 Halogen 12V Lamp  
 TLWM/SL - MR16 LED Retrofit 12V Lamp (lamps vary by market - please refer to supplier for details)  
 TLWM/GUH - GU10 120/240V Halogen Lamp (body length increases for all GU10 lamps)  
 TLWM/GUSL - GU10 LED Retrofit 120/240V Lamp (lamps vary by market - please refer to supplier for details)

[Click here for halogen specification sheet](#)

[Click here for 240v Remote Power Supply Guidance Charts](#)  
[Click here for USA Remote Power Supply Guidance Charts](#)

# LUMINAIRE CONSTRUCTION

**CNC machined from one of the following metals:**

**Aluminium:**

Body: high corrosion resistant 63.5mm (2<sup>1/2</sup>" ) x 10mm (3/8") aluminium.  
 End cap: 63.5mm (2<sup>1/2</sup>" ) aluminium rod.  
 Pole: 25.4mm (1") x 1.42mm (1/16") aluminium rod.

Base and Mounting Plate (Retro™): handspun 2mm (5/64") aluminium. Base cast from virgin CC401 low copper aluminium alloy chromate substrate and high UV resistant polyester powder coat.

**Colours:**

Black, Bronze, Silver Star, White, White Birch, Olive Green, Dark Grey, Corten.

**Copper:**

Body: 63.5mm (2<sup>1/2</sup>" ) x 10mm (3/8").  
 End cap: 63.5mm (2<sup>1/2</sup>" ) copper rod.  
 Pole: 25.4mm (1") x 1.42mm (1/16") copper rod.

Base and Mounting Plate (Retro™): handspun 2mm (5/64") copper disk and forged brass.

**316 Stainless Steel:**

Body: 63.5mm (2<sup>1/2</sup>" ) x 10mm (3/8").  
 End cap: solid 316 stainless steel 63.5 (2<sup>1/2</sup>" ) rod.  
 Pole: 316 stainless steel 25.4mm (1") x 1.42mm (1/16") rod.

Base and Mounting Plate (Retro™): investing cast and CNC machined 316 stainless steel.

**Lens:**

UV stable clear polycarbonate with stainless anti-glare mesh.

**Hood:**

260mm (10<sup>1/4</sup>" ) x 1.2mm (0.5") hand spun aluminium, copper or stainless steel.  
**NOTE:** The underside of copper and aluminium hoods have a white coating to maximise light reflection.

**Gaskets:**

Silicone, iron impregnated 220°C (428°F)

**Mounting:**

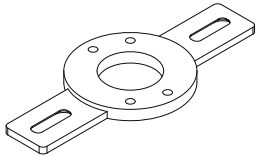
12 volt: the luminaire is mounted to the wall using two 316 stainless screws through a shallow base 28mm (1<sup>1/8</sup>" ) in depth.

Retro™ (110/240-12volt): a mounting plate is fixed to the wall using two screws and the luminaire is fitted to the mounting plate.

**Luminaire Weight:**

Low voltage  
 Alum: 0.915kg (2lb)  
 Cop: 1.590kg (5lb 11oz)  
 SS: 1.450kg (3lb 3oz)  
 Retro™  
 Alum: 2.000kg (4lb 6oz)  
 Cop: 3.000kg (6lb 9oz)  
 SS: 2.900kg (6lb 6oz)

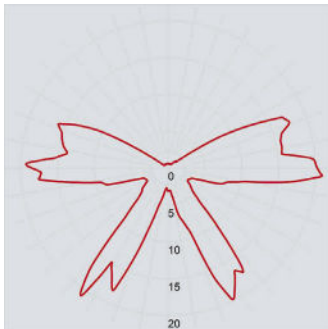
## ACCESSORIES



Wall Box Adaptor

## BEAM ANGLES

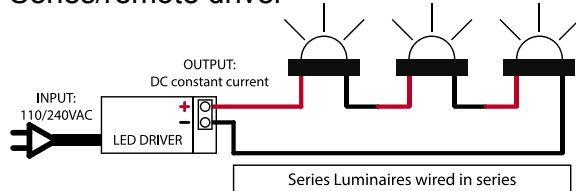
IES files available for download: [hunzalighting.com/downloads](http://hunzalighting.com/downloads)



Polycarbonate lens

## WIRING GUIDE

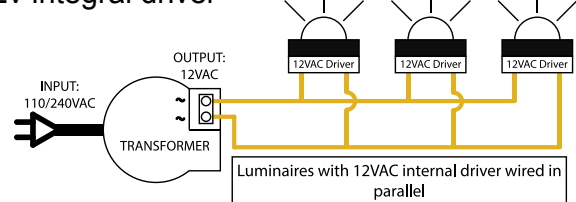
### Series/remote driver



Diagrams are a guide only, wire colours and polarity may change depending on fixture and country

Available for download: [hunzalighting.com/downloads](http://hunzalighting.com/downloads)

### 12v integral driver

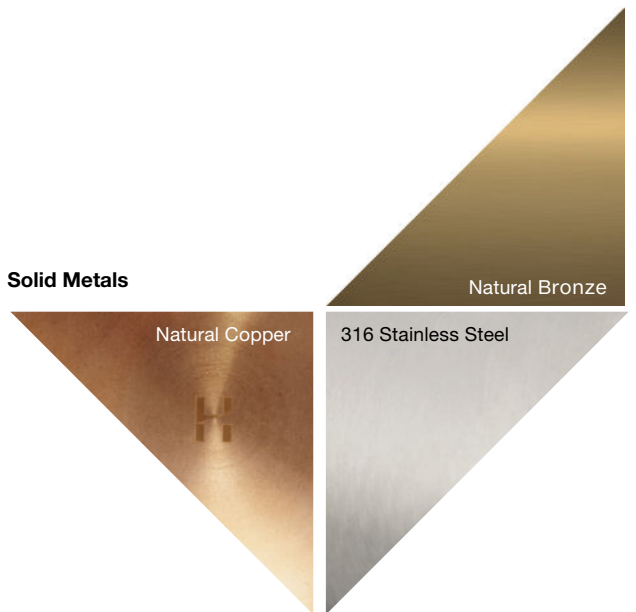


## FINISHES

### Powdercoated Aluminium



### Solid Metals



- Due to the limitation of print and screen resolution these colours should be used as a general guide only
- Solid copper and bronze are natural finishes designed to gradually weather & patina
- Solid stainless steel may acquire a surface tarnish in certain environments. Regular washing is recommended to avoid this.