

## IG 4

IG4 is an adjustable compact LED inground fixture. LED light source has 1" vertical adjustment and +/- 50° of tilt with 360° rotation. IG4's light source is the patent pending CR LED module. By eliminating mounting hardware, upgrade times are significantly reduced. IG4 inground is versatile and available line or low voltage. Surface mount ceiling version available (Luxtera).

### DETAILS.

#### MATERIALS AVAILABLE IN:

BR - BRASS

CU - COPPER

#### FINISHES AVAILABLE IN:

N - NATURAL

BK - BLACK

WT - WHITE

BN - BROWN

GN - GREEN

MP - SILVER

NK - NICKEL

PT - PATINA

C - CUSTOM

SIZE: Ø4" X 6.6" OAH; Ø2.7" BODY

#### LED MODULE OPTIONS, CRI 80:

CR16DC - 8.5W, LINE VOLTAGE

CRH - 8.5W, LOW VOLTAGE

#### COLOR TEMPS AVAILABLE:

2700K, 3000K, 4000K, 5500K

\*AMBER, BLUE, GREEN, RED COLOR AVAILABLE.

#### BEAM OPTIONS:

16°, 30°, 40°, 115°

IP67 - SUITABLE FOR WET LOCATIONS.

INTERNAL LED DRIVER INCLUDED.

\*OTHER ACCESSORIES AVAILABLE.

ETL LISTED

**IG4**



**II P L**

PLUGLIGHTING.COM  
INFO@PLUGLIGHTING.COM


5665 MELROSE AVENUE  
STE 108 LOS ANGELES 90038

P. 323 467 5635  
F. 323 467 5634

The IG4 is an adjustable compact LED inground fixture. LED light source has +/- 50 degs of tilt and full 360 deg rotation. The IG4's light source is the patent pending CR16-DC LED module. This innovative design is the only LED module that interfaces directly with its host fixture without the use of mounting hardware. By eliminating mounting hardware service and upgrade times are significantly reduced. Interfacing directly with fixture body the CR module is able to use the entire fixture as the heat sink.

The IG4 inground is versatile and available in multiple trim finishes and lens options. Key features are tool-free plug-in CR16 module, interchangeable optics and adjustable light source positioning. Compatible with CR16 LED Module. Suitable for wet locations.

**Specification**

Light Sources	CHR, CR16 LED Module *
LED Rated Life	50,000 hours average **
Input	10-15Vac
Power Consumption	8.5 Watts Maximum
Standard LED Color	2700K +/- 175 CCT Typical
CRI	80 Typical
Lens	3/16 inch Thick Clear Tempered Soda Lime Glass
Conduit Entry	Dual 1/2 NPT Openings
Fasteners	Stainless steel
Gasket	High Temp Silicone
Aiming	+/- 50 deg Tilt, 360 deg Rotation, Fixed Vertical
Operating Temperature	-31F to 130F (-35C to 54C)
Maintenance	Field serviceable Driver and LED module
Thermal Management	Fixture is utilized as heat sink
Construction	CNC Machined from Solid Brass Billet
Ingress Protection	IP67
Certification	

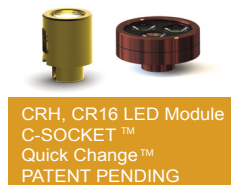
\* IES LM-80 Standard ensures led light source will provide lumen maintenance and color performance.

\*\* LED life is defined as the time to 70% lumen maintenance (L70)

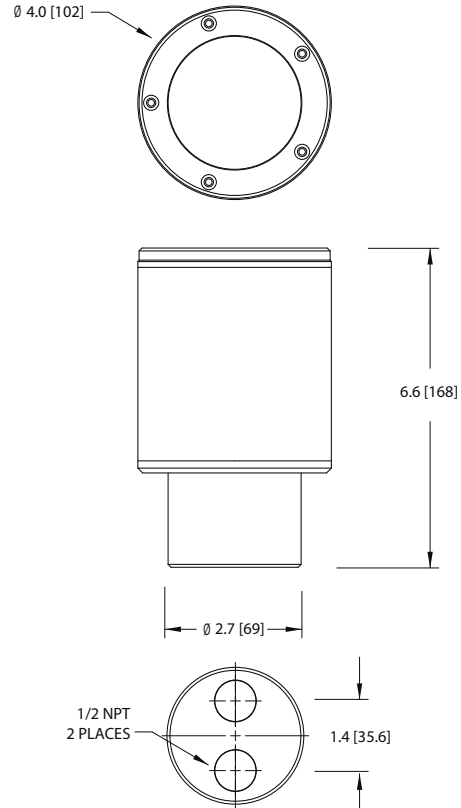
**Internal LED Driver Included**

**Features**

- CR16 plug-in LED Module
- Interchangeable Optics
- IP67
- Adjustable light source for glare control



**Dimensions inches [ mm ]**



**Ordering Guide**

Example: **IG4-BR-CR16DC-30-W40-HX-NK** IG4 Inground, Brass Trim, CR16-DC LED Module, 3000K, 40 deg Beam, Hex Cell Louver, Nickel Trim Finish

IG4	Trim Material	Module	LED Color	Beam	Accessory	Trim Finish
Prefix	BR - Brass CU - Copper	CRH CR16	27 - 2700K 30 - 3000K 40 - 4000K 55 - 5500K AM - Amber RD - Red GN - Green BL - Blue	N16 - 16 deg M30 - 30 deg W40 - 40 deg F115 - 115 deg	00 - None HX - Hex Cell	N - Natural BK - Black WT - White BN - Brown GN - Green MP - Silver NK - Nickel PT - Patina C - Custom



Document Number: S-IG412V  
Released Date: 11-02-13