

IG3

IG3 is an adjustable compact LED inground fixture. LED light source has 1" vertical adjustment and +/- 20° of tilt with 360° rotation. IG3's light source is the patent pending tool-free interchangeable CR LED module and optics. IG3 inground is versatile and available in multiple trim finishes and lens options.

DETAILS.

MATERIALS AVAILABLE IN:

BR - BRASS

CU - COPPER

FINISHES AVAILABLE IN:

N - NATURAL

BK - BLACK

WT - WHITE

BN - BROWN

GN - GREEN

MP - SILVER

NK - NICKEL

PT - PATINA

C - CUSTOM

SIZE: Ø3.5" X 0.3" H; 4.1" OAH X Ø2.4" BODY

LED MODULE OPTIONS, CRI 80:

CR1 - 2W

CR3 - 5W

COLOR TEMPS AVAILABLE:

2700K, 3000K, 4000K, 5500K

*AMBER, BLUE, GREEN, RED COLOR AVAILABLE.

BEAM OPTIONS CR1:

16°, 30°, 60°, 80°, 115°

BEAM OPTIONS CR3:

16°, 26°, 37°, 115°

IP67 - SUITABLE FOR WET LOCATIONS.

REMOTE LOW VOLTAGE TRANSFORMER REQUIRED.

*OTHER ACCESSORIES AVAILABLE.

ETL LISTED

IG3



II P L

PLUGLIGHTING.COM
INFO@PLUGLIGHTING.COM


5665 MELROSE AVENUE
STE 108 LOS ANGELES 90038

P. 323 467 5635
F. 323 467 5634

The IG3 is an adjustable compact LED inground fixture. LED light source has 1 inch vertical adjustment and +/- 20 degs of tilt. The IG3's light source is the patent pending CR style LED module. This innovative design is the only LED module that interfaces directly with its host fixture without the use of mounting hardware. By eliminating mounting hardware service and upgrade times are significantly reduced. Interfacing directly with fixture body the CR module is able to use the entire fixture as the heat sink.

The IG3 inground is versatile and available in multiple trim finishes and lens options. Key features are tool-free interchangeable CR module and adjustable light source. Compatible with CR1 (2 Watt) and CR3 (5 Watt) led modules. Suitable for wet locations.

Specification

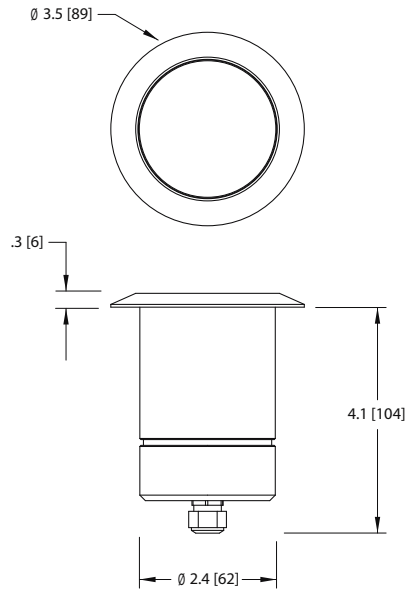
- Light Sources CR1 Module, CR3 LED Module
- LED Rated Life 50,000 hours average **
- LED Driver Integral low voltage 9-15V input
- Power Consumption 5 Watts Maximum
- Standard LED Color 2700K +/- 175 CCT Typical
- CRI 80 Typical
- Lens 3/16 inch Thick Clear Tempered Soda Lime glass
- Conduit Entry Liquid Tight Cordgrip or 1/2 NPT
- Fasteners Stainless steel
- Gasket High Temp Silicone
- Aiming +/- 20 deg Tilt, 360 deg Rotation, 1 inch Vertical
- Operating Temperature -31F to 130F (-35C to 54C)
- Maintenance Field serviceable Driver and LED module
- Thermal Management Fixture is utilized as heat sink
- Construction CNC Machined from Solid Brass Billet
- Mounting 2.5 inch schedule 40 PVC
- Ingress Protection IP67
- Certification 

* IES LM-80 Standard ensures led light source will provide lumen maintenance and color performance.

** LED life is defined as the time to 70% lumen maintenance (L70)

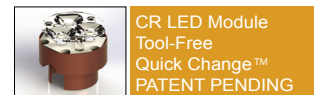
Remote Low Voltage Transformer Required

Dimensions inches [mm]



Features

- Interchangeable LED Modules, 2 and 5 Watt
- Interchangeable Optics (CR3 5 Watt Only)
- Internal Low Voltage LED Driver
- IP67
- Adjustable light source for glare control



Ordering Guide

Example: **IG3-BR-CR3-40-N16-HX-NK** IG3 Inground, Brass Trim, CR3 LED Module, 4000K, 16 deg Beam, Hex Cell Louver, Nickel Trim Finish

IG3	Prefix	Trim Material	Module	LED Color	CR1 Beam	Accessory	Trim Finish
	BR - Brass	CR1 - 2 Watt	27 - 2700K	N16 - 16 deg	00 - None	N - Natural	
	CU - Copper	CR3 - 5 Watt	30 - 3000K	M30 - 30 deg	HX - Hex Cell	BK - Black	
			40 - 4000K	W60 - 60 deg		WT - White	
			55 - 5500K	W80 - 80 deg		BN - Brown	
			AM - Amber	F115 - 115 deg		GN - Green	
			RD - Red	CR3 Beam		MP - Silver	
			GN - Green	N16 - 16 deg		NK - Nickel	
			BL - Blue	M26 - 26 deg		PT - Patina	
				W37 - 37 deg		C - Custom	
				F115 - 115 deg			



Document Number: S-IG3
Released Date: 11-02-13