



HL-6002

Slim LED pathway bollard. This fixture can be used as a path, sign, wall or surface mount. Available in 4 standard heights.

DETAILS.

MATERIALS AVAILABLE IN:

MACHINED ALUMINUM

FINISHES AVAILABLE IN:

BK – BLACK POWDER COAT

BZ – BRONZE POWDER COAT

WT – WHITE POWDER COAT

AA – ANODIZED SATIN ALUMINUM

AP – ALUMINUM POWDER COAT

LED MODULE SIZE: Ø1 1/4" X 7 3/16" H

MOUNTING HEIGHT OPTIONS:

12", 18", 24", 30"

LED OPTIONS, 3000K:

1W -OR- 3W

DIMMING: MLV

12VAC TRANSFORMER REQUIRED – NOT INCLUDED.

RATED FOR WET/DAMP/DRY LOCATIONS.

***OTHER ACCESSORIES AND MOUNTING OPTIONS AVAILABLE.**

HL-6002



II P L

PLUGLIGHTING.COM
INFO@PLUGLIGHTING.COM

5665 MELROSE AVENUE
STE 108 LOS ANGELES 90038

P. 323 467 5635
F. 323 467 5634

SPECIFICATIONS

DESCRIPTION:

Slim LED pathway bollard. Available in 4 standard heights. Suitable for wet/damp/dry location installations.

MATERIAL:

Standard overall material is 6061 aluminum.

FINISH:

- AA - Anodized Satin Aluminum
- AP - Powder Coat Aluminum
- BK - Powder Coat Black
- BZ - Powder Coat Bronze
- WT - Powder Coat White

LED OPTIONS:

Integral high output LED, warm white (3000K CCT) standard, others available.

- 1LED - 1W LED
- 3LED - 3W LED

VOLTAGE:

12 - 12 VAC output transformer required, not included.

MOUNTING:

Mounts to standard Hevi Lite ground mounts with 1/2-NPS thread.

- GM-1 Composit mounting spike
- GM-2 Cast mounting spike.
- GM-3 Stainless steel triple prong spike.
- GM-4 Stainless steel triple prong spike w/j-box
- GM-5 ABS mounting spike w/ wiring compartment
- GM-6 Cast mounting spike with wiring box
- GM-7 Cork screw style mounting spike
- GM-8 Cast in grade j-box
- GM-9 Landscape power post

ACCESSORIES:

Available with concrete pour flange.

SIZES:

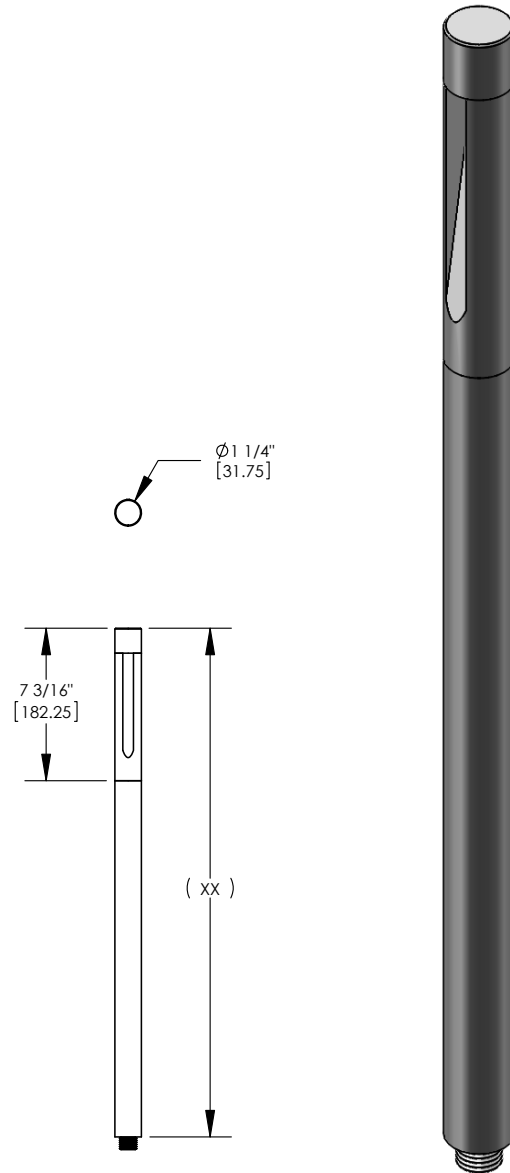
Standard mounting heights.

- 12 - 12 inch tall
- 18 - 18 inch tall
- 24 - 24 inch tall
- 30 - 30 inch tall

RATING:

Wet/damp/dry location.

MADE IN THE USA



CATALOG NUMBER:

HL-6002

Standard Finishes



AA - Anodized Satin Aluminum

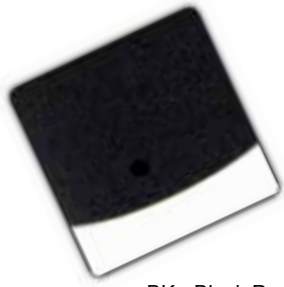


AP - Aluminum Powder Coat

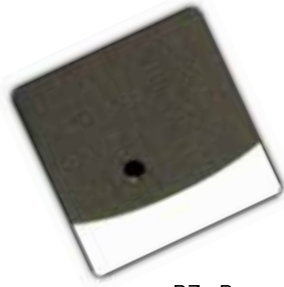
Natural Finishes



N - Natural Brass



BK - Black Powder Coat



BZ - Bronze Powder Coat

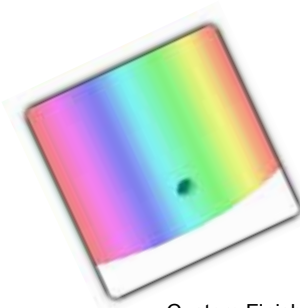


N - Natural Stainless Steel



WT - White Powder Coat

Custom Finishes



Custom Finishes

