



HL-369-2B

Solid brass MR16 adjustable accent light with integral glare shield. Suitable for wet location installations. Other standard finishes available. LED version also available.

DETAILS.

MATERIAL: MACHINED BRASS
FINISH: N – NATURAL BRASS

SHADE SIZE: Ø2 1/4" X 6 11/16" H; 1 3/8" STEM

50W MAX, BI-PIN GX5.3 BASE (BULB NOT INCLUDED)
12VAC TRANSFORMER REQUIRED – NOT INCLUDED.

RATED FOR WET/DAMP/DRY LOCATIONS.

***OTHER ACCESSORIES AND MOUNTING OPTIONS AVAILABLE.**
ETL LISTED

HL-369-2B



IIPL

PLUGLIGHTING.COM
INFO@PLUGLIGHTING.COM

5665 MELROSE AVENUE
STE 108 LOS ANGELES 90038

P. 323 467 5635
F. 323 467 5634

SPECIFICATIONS

DESCRIPTION:

Compact MR16 adjustable accent fixture with integral angled glare shield. Suitable for wet/damp/dry location installations.

MATERIAL:

Standard overall material is 6061 aluminum.
HL-369 - Machined Aluminum (Standard)
HL-369-2b - Machined Brass

FINISH:

AA - Anodized Satin Aluminum
AP - Powder Coat Aluminum
BK - Powder Coat Black
BZ - Powder Coat Bronze
WT - Powder Coat White
N - Natural, for Stainless Steel and Brass

HALOGEN LAMPING OPTION:

Lamp Type - 12V halogen MR16 lamp, bi-pin GX5.3 base, 50W max, not included (standard).

LED OPTIONS

Integral high output LED, warm white 85 CRI (3000K CCT) standard, others available.

3LED - 3W LED - 180 lumens
8LED - 8W LED - 300 lumens
8LED-E - 8.4W LED - 565 lumens

OPTICS

3LED and 8LED:

SP - Spot, 12°
NF - Narrow Flood, 24°
FL - Flood, 36°

8LED-E:

SP - Spot 14°
NF - Narrow Flood, 25°
MF - Medium Flood, 30°
FL - Flood, 40°

VOLTAGE:

12 - 12 VAC output transformer required, not included.

MOUNTING:

Fixture is designed with a 1/2-NPS adjustable mounting stem.

OPTIONS:

Lenses/Louvers/Color Filters
LA-1 - Hexcell Louver (Black)
LA-2 - Prismatic lens
LA-3 - Linear spread lens
LA-4 - Soft focus lens (diffused)
LA-5 - Moonlight lens
LA-6 - Blue lens

See fixture accessories for more information.

SAMPLE ORDER SPECIFICATION:

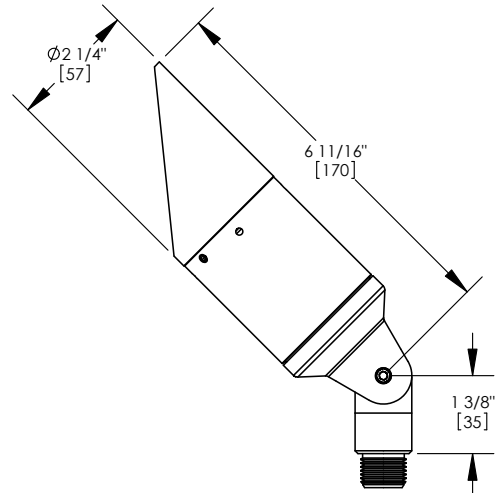
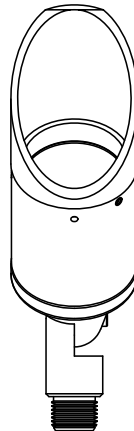
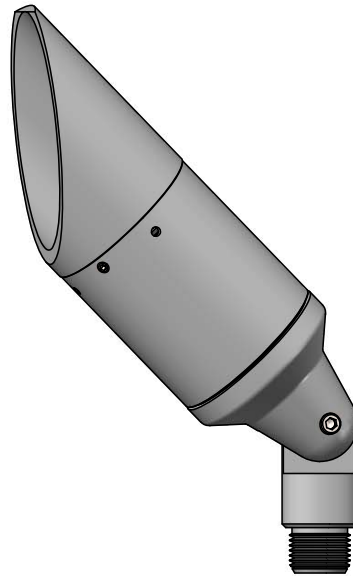
HL-369-BZ-12-LA-1

RATING:

Wet/damp/dry location.



MADE IN THE USA



CATALOG NUMBER:

HL-369

Standard Finishes



AA - Anodized Satin Aluminum

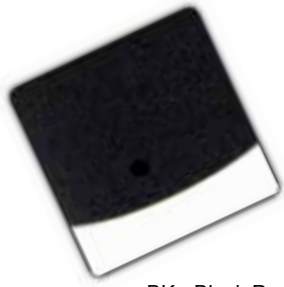


AP - Aluminum Powder Coat

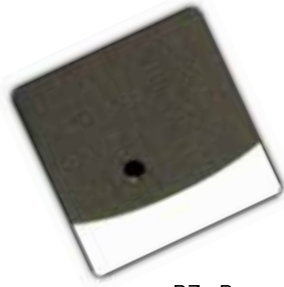
Natural Finishes



N - Natural Brass



BK - Black Powder Coat



BZ - Bronze Powder Coat

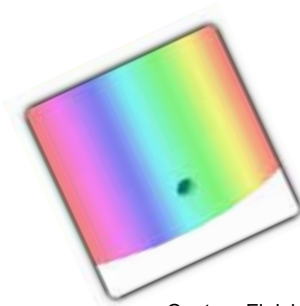


N - Natural Stainless Steel



WT - White Powder Coat

Custom Finishes



Custom Finishes

