



HL-360-LED

Compact LED adjustable accent light. Machined from solid corrosion resistant aluminum for extended performance and lasting appearance. Suitable for wet location installations. Custom finish available upon request. Halogen version also available.

DETAILS.

MATERIALS AVAILABLE IN:

MACHINED ALUMINUM

MACHINED BRASS

FINISHES AVAILABLE IN:

BK – BLACK POWDER COAT

BZ – BRONZE POWDER COAT

WT – WHITE POWDER COAT

AA – ANODIZED SATIN ALUMINUM

AP – ALUMINUM POWDER COAT

N - NATURAL

SHADE SIZE: Ø2 1/4" X 3 7/8" H; 1 3/8" STEM

LED OPTIONS, 85 CRI:

3W = 180 LM

8W = 300 LM

8E (8.4W) = 565 LM

COLOR TEMPS AVAILABLE:

2700K -OR- 3000K

OPTIC OPTIONS:

3W/8W – 12° SPOT, 24° NARROW FLOOD, 36° FLOOD

8E – 14° SPOT, 25° NARROW FLOOD, 30° MEDIUM FLOOD, 40° FLOOD

DIMMING ELV/MLV

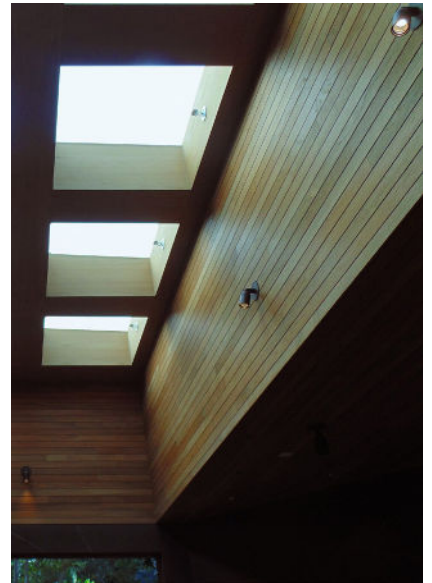
12VAC TRANSFORMER REQUIRED – NOT INCLUDED.

RATED FOR WET/DAMP/DRY LOCATIONS.

*OTHER ACCESSORIES AND MOUNTING OPTIONS AVAILABLE.

ETL LISTED

HL-360-LED



HL-360-LED



IIPL

PLUGLIGHTING.COM
INFO@PLUGLIGHTING.COM

5665 MELROSE AVENUE
STE 108 LOS ANGELES 90038

P. 323 467 5635
F. 323 467 5634

SPECIFICATIONS

DESCRIPTION:

Compact MR16 adjustable accent fixture.
Suitable for wet/damp/dry location installations.

MATERIAL:

Standard overall material is 6061 aluminum.
HL-360 - Machined Aluminum (Standard)
HL-360-1 - Machined Stainless Steel
HL-360-2b - Machined Brass

FINISH:

AA - Anodized Satin Aluminum
AP - Powder Coat Aluminum
BK - Powder Coat Black
BZ - Powder Coat Bronze
WT - Powder Coat White
N - Natural, for Stainless Steel and Brass

HALOGEN LAMPING OPTION:

Lamp Type - 12V halogen MR16 lamp, bi-pin
GX5.3 base, 50W max, not included (standard).

LED OPTIONS

Integral high output LED, warm white 85 CRI
(3000K CCT) standard, others available.

3LED - 3W LED - 180 lumens
8LED - 8W LED - 300 lumens
8LED-E - 8.4W LED - 565 lumens

OPTICS

3LED and 8LED:
SP - Spot, 12°
NF - Narrow Flood, 24°
FL - Flood, 36°
8LED-E:
SP - Spot 14°
NF - Narrow Flood, 25°
MF - Medium Flood, 30°
FL - Flood, 40°

VOLTAGE:

12 - 12 VAC output transformer required,
not included.

MOUNTING:

Fixture is designed with a 1/2-NPS adjustable
mounting stem.

OPTIONS:

Glare shields

GL-10 - Short Angled, aluminum
GL-11 - Angled, aluminum
GL-12 - Angled, brass
GL-13 - Straight, aluminum
GL-14 - Straight, brass

Lenses/Louvers/Color Filters

LA-1 - Hexcell Louver (Black)
LA-2 - Prismatic lens
LA-3 - Linear spread lens
LA-4 - Soft focus lens (diffused)
LA-5 - Moonlight lens
LA-6 - Blue lens

See fixture accessories for more information.

SAMPLE ORDER SPECIFICATION:

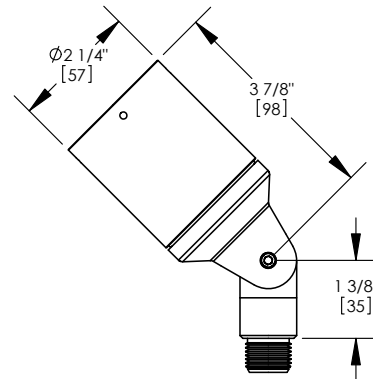
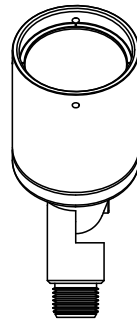
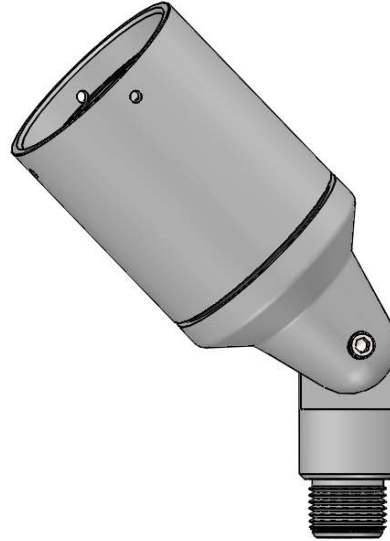
HL-360-2b-N-12-GL-11-LA-1

RATING:

Wet/damp/dry location.



MADE IN THE USA



CATALOG NUMBER:

HL-360

Standard Finishes

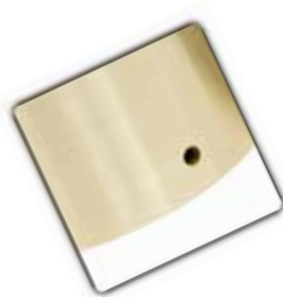


AA - Anodized Satin Aluminum

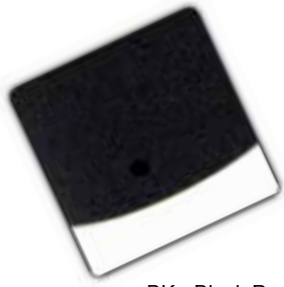


AP - Aluminum Powder Coat

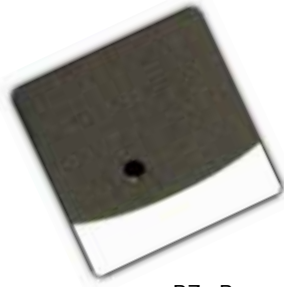
Natural Finishes



N – Natural Brass



BK - Black Powder Coat



BZ - Bronze Powder Coat

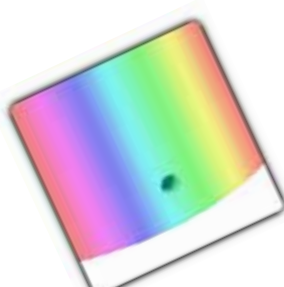


N – Natural Stainless Steel



WT - White Powder Coat

Custom Finishes



Custom Finishes

