



## HL-330-LED

Compact LED fixed accent light with 4.75" diameter mounting plate.  
Custom finish available upon request.  
Halogen version also available.

### DETAILS.

#### MATERIALS AVAILABLE IN:

MACHINED ALUMINUM

MACHINED BRASS

#### FINISHES AVAILABLE IN:

BK – BLACK POWDER COAT

BZ – BRONZE POWDER COAT

WT – WHITE POWDER COAT

AA – ANODIZED SATIN ALUMINUM

AP – ALUMINUM POWDER COAT

N - NATURAL

SHADE SIZE: Ø2 3/16" X 4 3/16" H

MOUNTING PLATE: Ø4 3/4"

#### LED OPTIONS, 85 CRI:

3W = 180 LM

8W = 300 LM

8E (8.4W) = 565 LM

#### COLOR TEMPS AVAILABLE:

2700K -OR- 3000K

#### OPTIC OPTIONS:

3W/8W – 12° SPOT, 24° NARROW FLOOD, 36° FLOOD

8E – 14° SPOT, 25° NARROW FLOOD, 30° MEDIUM FLOOD, 40° FLOOD

#### DIMMING ELV/MLV

12VAC TRANSFORMER REQUIRED – NOT INCLUDED.

RATED FOR WET/DAMP/DRY LOCATIONS.

\*OTHER ACCESSORIES AND MOUNTING OPTIONS AVAILABLE.

ETL LISTED

**HL-330-LED**



## SPECIFICATIONS

### DESCRIPTION:

Compact surface mount MR16 accent fixture with a machined mounting plate. Suitable for wet/damp/dry location installations.

### MATERIAL:

Standard overall material is 6061 aluminum.

**HL-330** - Machined Aluminum

**HL-330-2b** - Machined Brass

### FINISH:

**AA** - Anodized Satin Aluminum

**AP** - Powder Coat Aluminum

**BK** - Powder Coat Black

**BZ** - Powder Coat Bronze

**WT** - Powder Coat White

**N** - Natural, for Stainless Steel and Brass

### HALOGEN LAMPING OPTION:

Lamp Type - 12V halogen MR16 lamp, bi-pin GX5.3 base, 50W max, not included (standard).

### LED OPTIONS

Integral high output LED, warm white 85 CRI (3000K CCT) standard, others available.

**3LED** - 3W LED - 180 lumens

**8LED** - 8W LED - 300 lumens

**8LED-E** - 8.4W LED - 565 lumens

### OPTICS

3LED and 8LED:

**SP** - Spot, 12°

**NF** - Narrow Flood, 24°

**FL** - Flood, 36°

8LED-E:

**SP** - Spot 14°

**NF** - Narrow Flood, 25°

**MF** - Medium Flood, 30°

**FL** - Flood, 40°

### VOLTAGE:

**12** - 12 VAC output transformer required, not included.

### MOUNTING:

Fixture is equipped with 4.75" mounting plate and (2) mounting screws.

### OPTIONS:

Glare shields

**GL-10** - Short Angled, aluminum

**GL-11** - Angled, aluminum

**GL-12** - Angled, brass

**GL-13** - Straight, aluminum

**GL-14** - Straight, brass

Lenses/Louvers/Color Filters

**LA-1** - Hexcell Louver (Black)

**LA-2** - Prismatic lens

**LA-3** - Linear spread lens

**LA-4** - Soft focus lens (diffused)

**LA-5** - Moonlight lens

**LA-6** - Blue lens

See fixture accessories for more information.

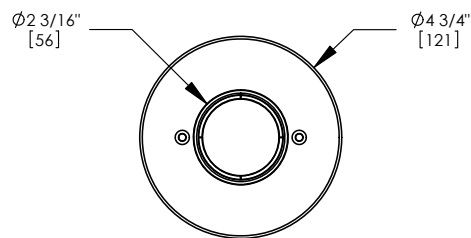
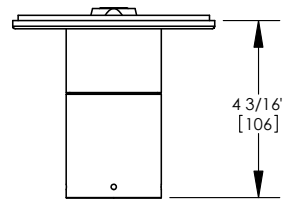
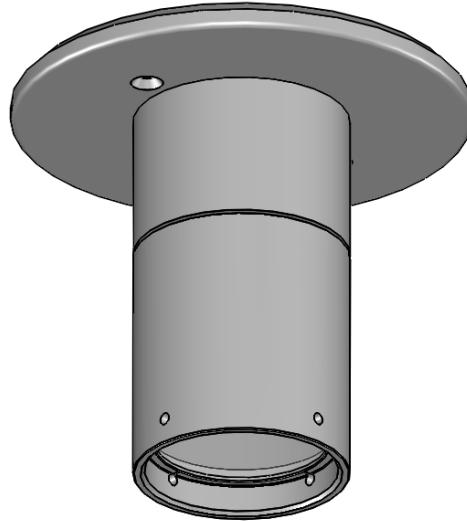
### SAMPLE ORDER SPECIFICATION:

HL-330-WT-12-GL-11-LA-4

### RATING:

Wet/damp/dry location.

**MADE IN USA**



CATALOG NUMBER:

**HL-330**

## Standard Finishes



AA - Anodized Satin Aluminum

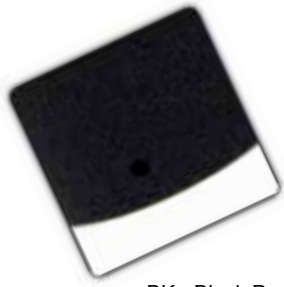


AP - Aluminum Powder Coat

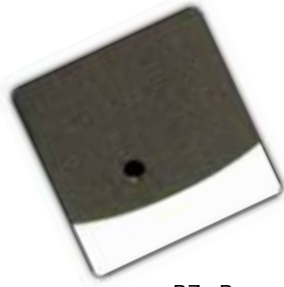
## Natural Finishes



N - Natural Brass



BK - Black Powder Coat



BZ - Bronze Powder Coat

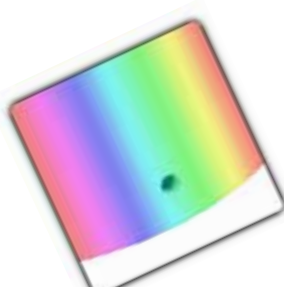


N - Natural Stainless Steel



WT - White Powder Coat

## Custom Finishes



Custom Finishes

