



## HL-300-LED

Adjustable MR8 size LED accent light. Suitable for wet location installations. Custom finish available upon request. Halogen version also available.

### DETAILS.

#### MATERIALS AVAILABLE IN:

MACHINED ALUMINUM

MACHINED BRASS

#### FINISHES AVAILABLE IN:

BK – BLACK POWDER COAT

BZ – BRONZE POWDER COAT

WT – WHITE POWDER COAT

AA – ANODIZED SATIN ALUMINUM

AP – ALUMINUM POWDER COAT

N - NATURAL

SHADE SIZE: Ø1.2" X 2.7" H; 0.7" STEM

#### COLOR TEMPS AVAILABLE:

2700K, 3000K, 4000K

#### OPTIC OPTIONS:

1W – 12° SPOT, 24° NARROW FLOOD, 36° FLOOD

350MA OUTPUT DRIVER REQUIRED – NOT INCLUDED.

RATED FOR WET/DAMP/DRY LOCATIONS.

\*OTHER ACCESSORIES, POWER SUPPLY AND MOUNTING OPTIONS AVAILABLE.

ETL LISTED

**HL-300-LED**



# SPECIFICATIONS

**DESCRIPTION:**

Compact adjustable LED accent fixture. Suitable for wet/damp/dry location installations.

**MATERIAL:**

Standard overall material is 6061 aluminum.  
**HL-300-LED** - Machined Aluminum (Standard)  
**HL-300-LED-1** - Machined Stainless Steel  
**HL-300-LED-2** - Machined Brass

**FINISH:**

**AA** - Anodized Satin Aluminum  
**AP** - Powder Coat Aluminum  
**BK** - Powder Coat Black  
**BZ** - Powder Coat Bronze  
**WT** - Powder Coat White  
**N** - Natural, for Stainless Steel and Brass

**LED OPTIONS:**

Integral high output, warm white LED (3000K CCT) standard, others available.  
**1LED** - 1W  
**3LED** - 3W

**Optics**

**SP** - Spot, 12°  
**NF** - Narrow Flood, 24°  
**FL** - Flood, 36°

**VOLTAGE:**

**12** - 12VAC remote (350mA - 1W) constant current driver and 12V transformer required, not included. See options below.  
**120-277** - 120-277VAC driver. See options below.

**MOUNTING:**

Fixture is designed with a 1/2-NPS adjustable mounting stem.

**OPTIONS:**

Glare shields  
**GL-1** - Angled, aluminum  
**GL-2** - Angled, brass  
**GL-3** - Straight, aluminum  
**GL-4** - Straight, brass  
 Lenses/Louvers/Color Filters  
**LA-1-8** - Hexcell Louver (Black)  
**LA-2-8** - Prismatic lens  
**LA-3-8** - Linear spread lens  
**LA-4-8** - Soft focus lens (diffused)  
**LA-5-8** - Moonlight lens  
**LA-6-8** - Blue lens

**LED Constant Current Drivers**

**HLD-3-350-12** - 3W 350mA 12 VAC driver  
**HLD-3-350-U** - 3W 350mA 120-277 VAC driver  
**HL-RD-L30** = 1-15 LED'S  
**H-POD-LED L30** = 1-15 LED'S

See fixture accessories for more information.

**SAMPLE ORDER SPECIFICATION:**

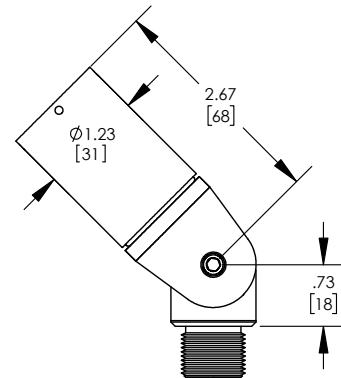
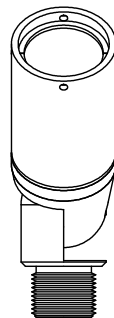
HL-300-LED-2b-N-GL-2

**RATING:**

Wet/damp/dry location.



**MADE IN THE USA**



CATALOG NUMBER:

**HL-300-LED**

REV.B

## Standard Finishes



AA - Anodized Satin Aluminum

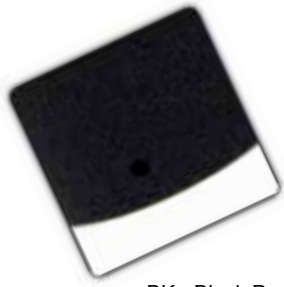


AP - Aluminum Powder Coat

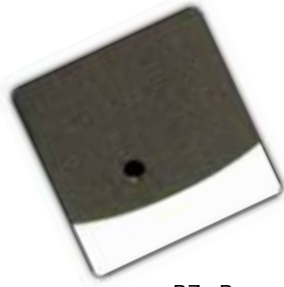
## Natural Finishes



N – Natural Brass



BK - Black Powder Coat



BZ - Bronze Powder Coat

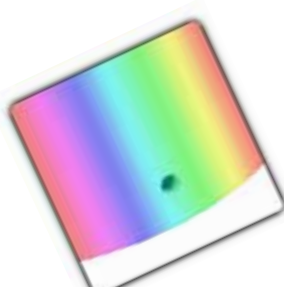


N – Natural Stainless Steel



WT - White Powder Coat

## Custom Finishes



Custom Finishes

