



GL2B

LED bollard featuring sleek design. Easy view diffuser provides ample light output while pleasing to the eye. GL2B head design is extremely rugged and protects both the diffuser and light source from breakage. All parts except for post are CNC machined from solid billet material. Select from standard post heights or choose custom.

DETAILS.

MATERIALS AVAILABLE IN:

AL - ALUMINUM

BR - BRASS

CU - COPPER

FINISHES AVAILABLE IN:

N - NATURAL (BRASS & COPPER ONLY)

CA - CLEAR ANODIZE (ALUMINUM ONLY)

BK - BLACK

WT - WHITE

BN - BROWN

GN - GREEN

MP - SILVER

NK - NICKEL (BRASS ONLY)

PT - LIVING PATINA (BRASS & COPPER ONLY)

C - CUSTOM

SIZE: Ø3.5" SHADE X Ø2.3" BODY

HEIGHT OPTIONS: 9", 12", 18", 24", 36"

*CUSTOM HEIGHT AVAILABLE UPON REQUEST.

5W LED, CRI 93

COLOR TEMPS AVAILABLE:

2700K, 3000K, 4000K, 5500K

CABLE LEAD: 2FT 18 AWG

IP67 - SUITABLE FOR WET LOCATIONS.

REMOTE LOW VOLTAGE TRANSFORMER REQUIRED.

*OTHER MOUNTING OPTIONS AND ACCESSORIES AVAILABLE.

ETL LISTED

GL2B



GL2B



II P L

PLUGLIGHTING.COM
INFO@PLUGLIGHTING.COM


5665 MELROSE AVENUE
STE 108 LOS ANGELES 90038

P. 323 467 5635
F. 323 467 5634

The GL2B is a stylish bollard style fixture that can be used for garden, planter and walkway applications. Easy view diffuser provides ample light output while pleasing to the eye. The GL2B head design is extremely rugged and protects both the diffuser and light source from breakage. In addition the GL2B's waterproof light source makes it impervious to the elements.

All parts except for post are CNC machined from solid billet material. Select from standard post heights or choose custom. LED Module is easily replaced tool free. Suitable for wet location.

Specification

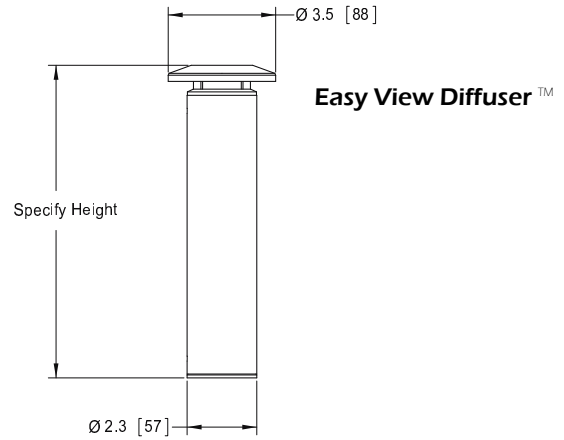
Light Source	GL2B LED Module*
LED Rated Life	50,000 hours average **
Low Voltage Input	10-18Vac
Power Consumption	5 Watts Maximum
Standard LED Color	3000K +/- 175 CCT Typical
	CRI 93 Typical
Lens Diffuser	CNC Machined, Polished UV Resistant Acrylic
Cable Lead	2ft 18 AWG
Standard Mounting	Spike Mount, 1/2 inch conduit entry
Operating Temperature	-31F to 122F (-35C to 50C)
Maintenance	LED module Tool Free Service
Thermal Management	Fixture is utilized as heat sink
Ingress Protection	IP67
Certification	

* IES LM-80 Standard ensures led light source will provide lumen maintenance and color performance.

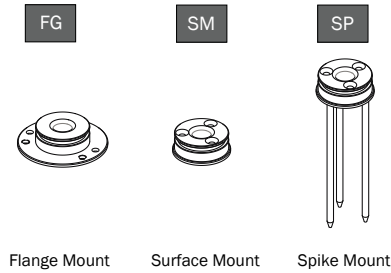
** LED life is defined as the time to 70% lumen maintenance (L70)

Remote Low Voltage Transformer Required

Dimensions inches [mm]



Mounting Options



Ordering Guide

Example: **GL2B-BR-27-9-N-SP** GL2B, Brass, 2700K, 9 inch Height, Natural Finish, Spike Mount

GL2B					
Prefix	Material	LED Color	Height	Finish	Mounting
AL - Aluminum	27 - Warm 2700K	9 - 9 inch	N - Natural (<i>brass & copper only</i>)	SM - Surface Mount	
BR - Brass	30 - Warm 3000K	12 - 12 inch	CA - Clear Anodize (<i>aluminum only</i>)	SP - Spike Mount (Soil Applications)	
CU - Copper	NW - Neutral 4000K	18 - 18 inch	BK - Black	FG - Flange	
	CW - Cool 5500K	24 - 24 inch	WT - White		
		36 - 36 inch	BN - Brown		
		C - Custom	GN - Green		
			MP - Silver		
			NK - Nickel (<i>brass only</i>)		
			PT - Living Patina (<i>brass & Copper only</i>)		
			C - Custom		



Document Number: S-GL2B
Released Date: 051817