



## EURO SINGLE POLE LITE

Machined from 1.75" solid copper, clear tempered glass lenses with silicone gaskets. Water resistant with a 3" Dia. mounting base. Fixture has a fully adjustable arm allowing 360 degree rotation when tightened and up to a 90 degree adjustability. Suitable for mounting on timber, stone, brick, etc. Euro Twin Pole Lite also available – two adjustable heads.

### DETAILS.

#### FINISHES AVAILABLE IN:

SOLID COPPER

316 STAINLESS STEEL

SIZE: Ø1 1/2" X 31 1/2" H

HEAD SIZE: Ø1 3/4" X 3 1/8" H

RETRO BASE: Ø2 1/2"

MAX 700MA, CRI 90

#### COLOR TEMPS AVAILABLE:

2700K, 3000K, 4000K

#### BEAM OPTIONS:

15°, 25°, 38°, 60°

#### POWER OPTIONS:

S – SERIES, REMOTE DRIVER

D3 - 12V AC, 2W INTEGRAL DRIVER

D7 - 12V AC, 4W INTEGRAL DRIVER

R – RETRO, 110/240V DRIVER

\*REMOTE DRIVER WIRED IN SERIES. INTERNAL DRIVER WIRED IN PARALLEL.

IP56/66 – RATED FOR WET LOCATIONS.

\*OTHER ACCESSORIES AND LAMP OPTIONS AVAILABLE.

UL LISTED

EURO SINGLE POLE LITE



**II P L**

PLUGLIGHTING.COM  
INFO@PLUGLIGHTING.COM

5665 MELROSE AVENUE  
STE 108 LOS ANGELES 90038

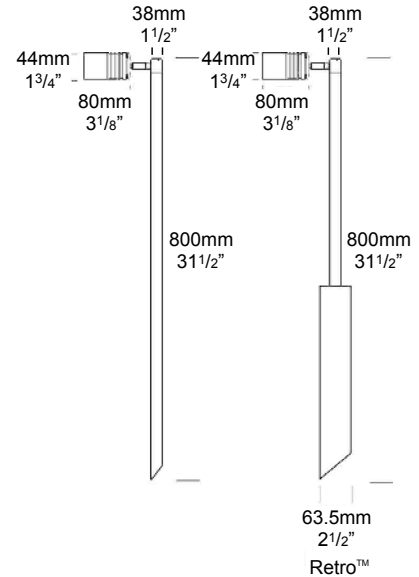
P. 323 467 5635  
F. 323 467 5634

# Euro Single Pole Lite

## PURELED SPECIFICATIONS

<b>LED Chip</b>	Cree XHP-50-2 Plug and Play field replaceable LED board
<b>Luminaire Output</b>	420 Lumens @ 700mA (4 watts), 240 Lumens @ 350mA (2 watts), delivered from luminaire with unobstructed beam.
<b>Lumens Per Watt</b>	105 Lumens minimum @ 4 watts, delivered from luminaire with unobstructed beam
<b>CRI (3000K)</b>	90+
<b>Colour Temperatures</b>	2700K, 3000K, 4000K
<b>Beam Angles</b>	15, 25, 38, 60
<b>Ingress Protection</b>	IP56/IP66

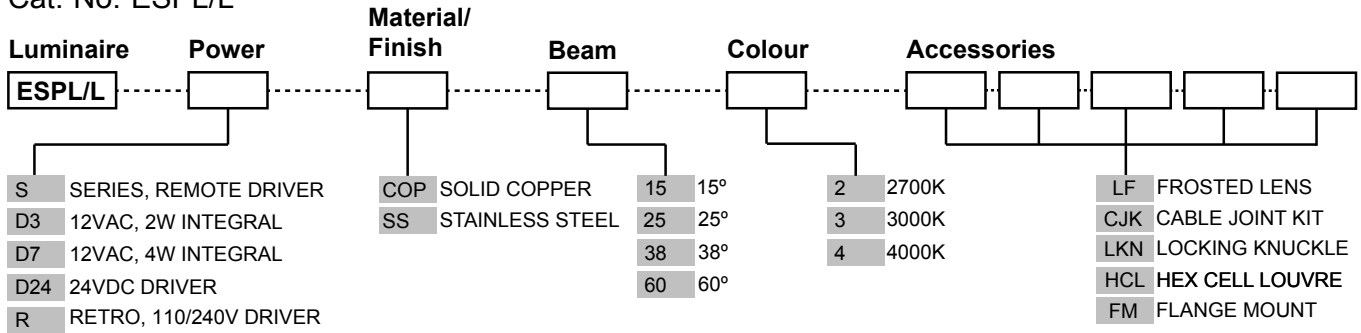
<b>Warranty</b>	Electronics = 5 years Body Cop/ SS = 10 years
<b>Standards</b>	AS/NZS 61046 cUL 1838, 2108 CSA C22.2 No. 250.7, No. 250.0-08 CE



## PRODUCT CONFIGURATION

Please fill in appropriate codes into boxes provided

Cat. No. ESPL/L



**SERIES, REMOTE DRIVER REQUIRED:**  
Constant current driver  
Individual fixtures require 6vdc @ 700mA maximum

**12VAC INTEGRAL DRIVER:**  
Hunza integrated Plug and Play Driver (included)  
Input: 12VAC, 5watt total.  
Output: 6vdc @ D3=350mA, D7=700mA

**110/240VAC RETRO DRIVER:**  
Input: 120/240vac, 5 watt total (driver included)  
Output: 6vdc, 700mA (non dimming)

**24VDC DRIVER:**  
Input: 24vdc.  
Output: 18vdc @ 700mA constant current (non dimming).  
*Note: not for USA.*

[Click here for 240v Remote Power Supply Guidance Charts](#)

[Click here for USA Remote Power Supply Guidance Charts](#)

# LUMINAIRE CONSTRUCTION

**CNC machined from one of the following metals:**

**Copper:**

Body: 45.4mm (1<sup>3/4</sup>" ) copper rod.  
Pole: 38mm (1<sup>1/2</sup>" ) copper tube.

**316 Stainless Steel**

Body: 45.4mm (1<sup>3/4</sup>" ) stainless steel rod.  
Pole: 38mm (1<sup>1/2</sup>" ) stainless steel tube.

**Lens:**

6mm (1/4" ) extra clear low iron flush fit shatter resistant glass.  
Lifetime Warranty.

**Knuckles:**

Copper luminaires: 360° rotation and 0-90° elevation, solid brass with anti rust spring.  
Stainless Steel luminaires: 360° rotation and 0-90° elevation, full stainless steel construction.

**Gaskets:**

Silicone, iron impregnated 220°C (428°F)

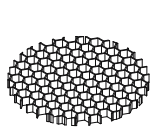
**Mounting:**

The pole 850mm (33<sup>1/2</sup>" ) is directly mounted into the earth. A Flange Mount option is available for mounting onto hard surfaces. Retro™ version is set into concrete.

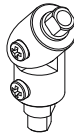
**Luminaire Weight:**

Low Voltage  
Cop: 1.900kg (4lb 3oz)  
SS: 1.550kg (3lb 7oz)  
Retro™  
Cop: 2.800kg (6lb 3oz)  
SS: 2.600kg (5lb 12oz)

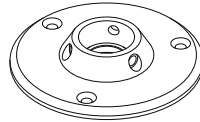
## ACCESSORIES



Hex Cell Louvre



Locking Knuckle

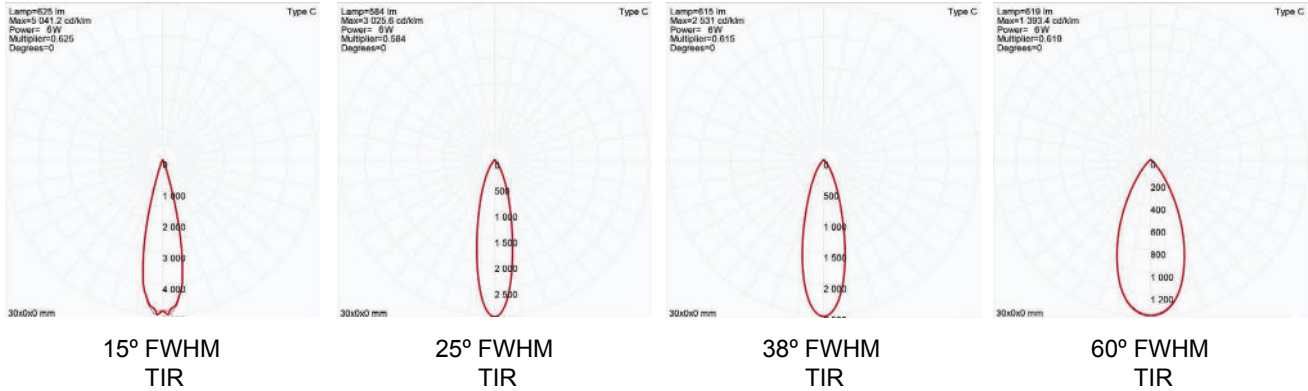


Flange Mount

## BEAM ANGLES

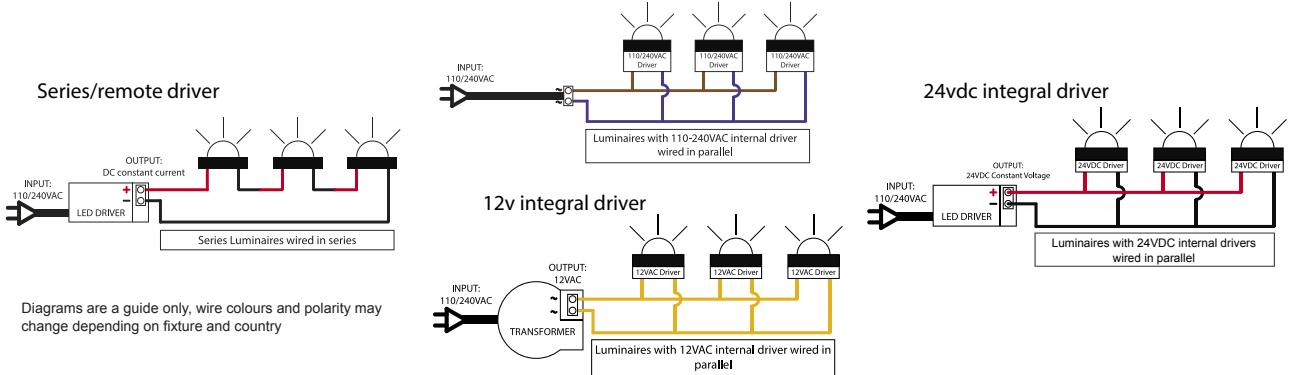
High efficiency PMMA TIR lenses. Field replaceable

IES files available for download: [hunzalighting.com/downloads](http://hunzalighting.com/downloads)



## WIRING GUIDE

Available for download: [hunzalighting.com/downloads](http://hunzalighting.com/downloads)



Diagrams are a guide only, wire colours and polarity may change depending on fixture and country