



## BOLLARD

Bollard with a lens that reflects light in 2 angles, on the ground for walkway lighting and horizontally for ambient lighting. Constructed of tubular aluminum powder coated in bronze, green, black or solid copper and stainless steel. Solid copper and bronze will patina over time. This fixture can be screwed or bolted directly to the concrete. Available in 2 sizes.

### DETAILS.

#### FINISHES AVAILABLE IN:

ALUMINUM POWDERCOAT- BLACK, BRONZE, OLIVE GREEN, WHITE, WHITE BIRCH, DARK GREY, SILVER STAR, CORTEN  
SOLID COPPER  
316 STAINLESS STEEL

#### BOLLARD 300:

LENS: Ø2 1/2" X 2" H

BODY: 11 7/8" H

\*14 1/2" OAH WITH FLANGE MOUNT.

STANDARD SPIKE: 5 3/4" H

#### BOLLARD 700:

LENS: Ø2 1/2" X 2" H

BODY: 27" H

FLANGE MOUNT: Ø3.5"

MAX 1050MA, CRI 90

#### COLOR TEMPS AVAILABLE:

2700K, 3000K, 4000K

BEAM ANGLE: 360°

#### POWER OPTIONS:

S - SERIES, REMOTE DRIVER

D3 - 12V AC, 2W INTEGRAL DRIVER

D7 - 12V AC, 4W INTEGRAL DRIVER

D10 - 12V AC, 6W INTEGRAL DRIVER

R - RETRO, 110/240V DRIVER (BOLLARD 700 ONLY)

\*REMOTE DRIVER WIRED IN SERIES. INTERNAL DRIVER WIRED IN PARALLEL.

IP56/IP66 - RATED FOR WET LOCATIONS.

\*OTHER ACCESSORIES AND LAMP OPTIONS AVAILABLE.

UL LISTED

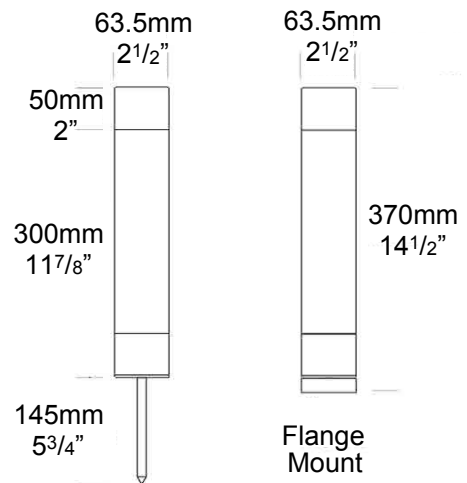
**BOLLARD**



# Bollard 300

## PURELED SPECIFICATIONS

<b>LED Chip</b>	Cree XHP-50-2 Plug and Play field replaceable LED board
<b>Luminaire Output</b>	510 Lumens @ 1050mA (6 watts), 340 Lumens @ 700mA (4 watts), 160 Lumens @ 350mA (2 watts), delivered from luminaire with unobstructed beam.
<b>Lumens Per Watt</b>	85 Lumens minimum @ 6 watts , delivered from luminaire with unobstructed beam
<b>CRI (3000K)</b>	90+
<b>Colour Temperatures</b>	2700K, 3000K, 4000K
<b>Beam Angles</b>	360 degrees
<b>Ingress Protection</b>	IP56/IP66
<b>Warranty</b>	Electronics = 5 years Body Cop/ SS = 10 years Body Aluminium = 5 years
<b>Standards</b>	AS/NZS 61046 cUL 1838, 2108 CSA C22.2 No.250.7, No.250.0-08 CE



## PRODUCT CONFIGURATION

Please fill in appropriate codes into boxes provided

Cat. No. BOL300/L

Luminaire	Power	Material/ Finish	Beam	Colour	Accessories
<input type="text" value="BOL300/L"/>	<input type="text"/>	<input type="text"/>	<input type="text"/>	<input type="text"/>	<input type="text"/>
<b>S</b> SERIES, REMOTE DRIVER <b>D3</b> 12VAC, 2W INTEGRAL <b>D7</b> 12VAC, 4W INTEGRAL <b>D10</b> 12VAC, 6W INTEGRAL <b>D24</b> 24VDC DRIVER		<b>EBK</b> BLACK <b>EBZ</b> BRONZE <b>EOGR</b> OLIVE GREEN <b>EWH</b> WHITE <b>EWB</b> WHITE BIRCH <b>EDG</b> DARK GREY <b>ESTAR</b> SILVER STAR <b>ECT</b> CORTEN <b>COP</b> SOLID COPPER <b>SS</b> STAINLESS STEEL	<b>360</b> 360°	<b>2</b> 2700K <b>3</b> 3000K <b>4</b> 4000K	<b>CJK</b> CABLE JOINT KIT <b>BOLOP</b> OPAQUE LENS <b>HOOD140C</b> HOOD 140MM CONTOURED <b>HOOD140S</b> HOOD 140MM SMOOTH <b>GSBOL</b> GLARE SHIELD *reduces beam angle to 180° <b>FM</b> FLANGE MOUNT <b>FM90</b> EXTERNAL FLANGE MOUNT 90
<div style="border: 1px solid black; padding: 5px;"> <p><b>SERIES, REMOTE DRIVER REQUIRED:</b> Constant current driver Individual fixtures require 6vdc @ 1050mA maximum</p> <p><b>12VAC INTEGRAL DRIVER:</b> Hunza integrated plug and play driver (included) Input: 9-15VAC. Output: 6vdc @ D3=350mA, D7=700mA, D10=1050mA (1050mA limited to ≤ 40°C (104°F) ambient temperature in stainless steel)</p> <p><b>24VDC DRIVER:</b> Input: 24vdc. Output: 18vdc @ 700mA constant current (non dimming). <i>Note: not for USA.</i></p> </div>					
<div style="border: 1px solid black; padding: 5px;"> <p><b>OTHER LAMP OPTIONS:</b>                      BOL300/H - MR16 Halogen 12V Lamp                      BOL300/SL - MR16 LED Retrofit 12V Lamp (lamps vary by market - please refer to supplier for details)                      BOL300/GUH - GU10 120/240V Halogen Lamp (body length increases for all GU10 lamps)                      BOL300/GUSL - GU10 LED Retrofit 120/240V Lamp (lamps vary by market - please refer to supplier for details)</p> </div>					

[Click here for halogen specification sheet](#)

[Click here for 240v Remote Power Supply Guidance Charts](#)

[Click here for USA Remote Power Supply Guidance Charts](#)

# LUMINAIRE CONSTRUCTION

## CNC machined from one of the following metals:

### Aluminium:

Body: Solid high corrosion resistant 63.5mm (2½") x 10mm (3/8") aluminium.  
 Pole: 63.5mm (2½") aluminium.  
 End cap: solid aluminium 63.5mm (2½") rod, with chromate substrate and high UV resistant polyester powder coat.

### Colours:

Black, Bronze, Silver Star, White, White Birch, Olive Green, Dark Grey, Corten.

### Copper:

Body: 63.5mm (2½") x 10mm (3/8").  
 Pole: solid copper 63.5mm (2½").  
 End cap: solid copper 63.5mm (2½") rod.

### 316 Stainless Steel:

Body: 63.5mm (2½") x 10mm (3/8").  
 Pole: 316 stainless steel 63.5mm (2½").  
 End cap: solid 316 stainless steel 63.5 (2½") rod.

### Anti-glare Hood:

140mm (5½") x 1.2mm (1/16") handspun aluminium, copper or stainless steel. No upward light or glare projected.

### Lens:

UV stable polycarbonate lens with anti-glare mesh and dual angle reflector projects light horizontally and at 45° onto the ground.

### Gaskets:

Silicone, iron impregnated 220°C (428°F)

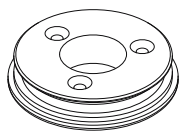
### Mounting:

Set in concrete in the ground or specify with flange mount option, which bolts to concrete, tiling or wooden decks.

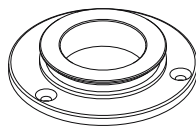
### Luminaire Weight:

Low voltage  
 Alum: 0.870kg (1lb 15oz)  
 Cop: 2.290kg (5lb 1oz)  
 SS: 2.170kg (4lb 13oz)

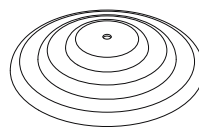
## ACCESSORIES



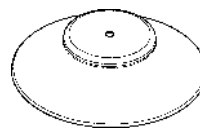
Flange Mount



Flange Mount 90



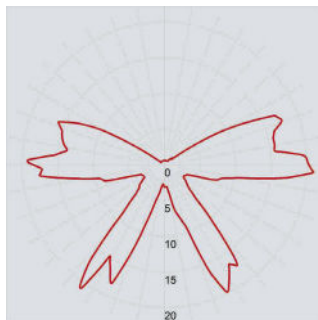
Hood 140mm Contoured



Hood 140mm Smooth

## BEAM ANGLES

IES files available for download: [hunzalighting.com/downloads](http://hunzalighting.com/downloads)

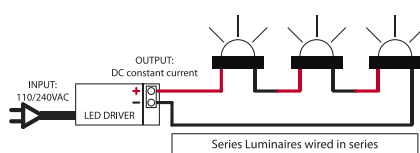


Polycarbonate lens

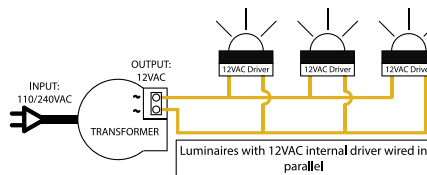
## WIRING GUIDE

Available for download: [hunzalighting.com/downloads](http://hunzalighting.com/downloads)

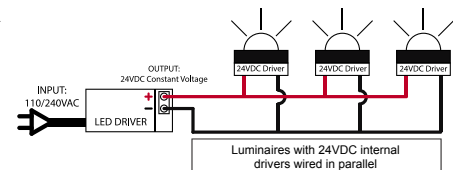
### Series/remote driver



### 12v integral driver



### 24vdc integral driver

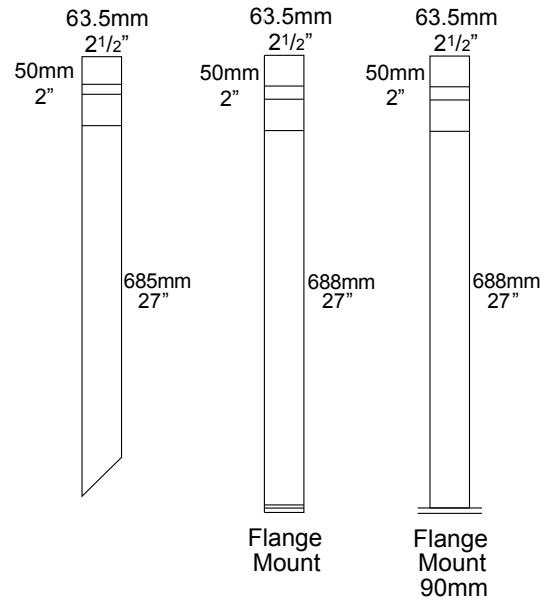


Diagrams are a guide only, wire colours and polarity may change depending on fixture and country

# Bollard 700

## PURELED SPECIFICATIONS

<b>LED Chip</b>	Cree XHP-50-2 Plug and Play field replaceable LED board
<b>Luminaire Output</b>	510 Lumens @ 1050mA (6 watts), 340 Lumens @ 700mA (4 watts), 160 Lumens @ 350mA (2 watts), delivered from luminaire with unobstructed beam.
<b>Lumens Per Watt</b>	85 Lumens minimum @ 6 watts, delivered from luminaire with unobstructed beam
<b>CRI (3000K)</b>	90+
<b>Colour Temperatures</b>	2700K, 3000K, 4000K
<b>Beam Angles</b>	360 degrees
<b>Ingress Protection</b>	IP56/IP66
<b>Warranty</b>	Electronics = 5 years Body Cop/ SS = 10 years Body Aluminium = 5 years
<b>Standards</b>	AS/NZS 61046 cUL 1838, 2108 CSA C22.2 No.250.7, No.250.0-08 CE



## PRODUCT CONFIGURATION

Please fill in appropriate codes into boxes provided

Cat. No. BOL700/L

Luminaire	Power	Material/ Finish	Beam	Colour	Accessories
<input type="text" value="BOL700/L"/>	<input type="text"/>	<input type="text"/>	<input type="text"/>	<input type="text"/>	<input type="text"/>
<b>S</b> SERIES, REMOTE DRIVER <b>D3</b> 12VAC, 2W INTEGRAL <b>D7</b> 12VAC, 4W INTEGRAL <b>D10</b> 12VAC, 6W INTEGRAL <b>D24</b> 24VDC DRIVER <b>R</b> RETRO, 110/240V DRIVER <b>SERIES, REMOTE DRIVER REQUIRED:</b> Constant current driver Individual fixtures require 6vdc @ 1050mA maximum <b>12VAC INTEGRAL DRIVER:</b> Hunza integrated plug and play driver (included) Input: 9-15VAC Output: 6vdc @ D3=350mA, D7=700mA, D10=1050mA (1050mA limited to ≤ 40°C (104°F) ambient temperature in stainless steel) <b>110/240VAC RETRO DRIVER:</b> Input: 120/240vac, 5 watt total (included) Output: 6vdc, 700mA (non dimming) <b>24VDC DRIVER:</b> Input: 24vdc. Output: 18vdc @ 700mA constant current (non dimming). Note: not for USA.	<b>ALUMINIUM</b> <b>EBK</b> BLACK <b>EBZ</b> BRONZE <b>EOGR</b> OLIVE GREEN <b>EWH</b> WHITE <b>EWB</b> WHITE BIRCH <b>EDG</b> DARK GREY <b>ESTAR</b> SILVER STAR <b>ECT</b> CORTEN <b>COP</b> SOLID COPPER <b>SS</b> STAINLESS STEEL	<b>360</b> 360°	<b>2</b> 2700K <b>3</b> 3000K <b>4</b> 4000K	<b>CJK</b> CABLE JOINT KIT <b>BOLOP</b> OPAQUE LENS <b>HOOD140C</b> HOOD 140MM CONTOURED <b>HOOD140S</b> HOOD 140MM SMOOTH <b>GSBOL</b> GLARE SHIELD *reduces beam angle to 180° <b>FM</b> FLANGE MOUNT <b>FM90</b> EXTERNAL FLANGE MOUNT 90	

**OTHER LAMP OPTIONS:**  
 BOL700/H - MR16 Halogen 12V Lamp  
 BOL700/SL - MR16 LED Retrofit 12V Lamp (lamps vary by market - please refer to supplier for details)  
 BOL700/GUH - GU10 120/240V Halogen Lamp (body length increases for all GU10 lamps)  
 BOL700/GUSL - GU10 LED Retrofit 120/240V Lamp (lamps vary by market - please refer to supplier for details)

[Click here for halogen specification sheet](#)

[Click here for 240v Remote Power Supply Guidance Charts](#)  
[Click here for USA Remote Power Supply Guidance Charts](#)

# LUMINAIRE CONSTRUCTION

**CNC machined from one of the following metals:**

**Aluminium:**

Body: Solid high corrosion resistant 63.5mm (2½") x 10mm (3/8") aluminium.  
 Pole: 63.5mm (2½") aluminium.  
 End cap: solid aluminium 63.5mm (2½") rod, with chromate substrate and high UV resistant polyester powder coat.  
 Colours: Black, Bronze, Silver Star, White, White Birch, Olive Green, Dark Grey, Corten.

**Copper:**

Body: 63.5mm (2½") x 10mm (3/8").  
 Pole: solid copper 63.5mm (2½").  
 End cap: solid copper 63.5mm (2½") rod.

**316 Stainless Steel:**

Body: 63.5mm (2½") x 10mm (3/8").  
 Pole: 316 stainless steel 63.5mm (2½").  
 End cap: solid 316 stainless steel 63.5 (2½") rod.

**Anti-glare Hood:**

140mm (5½") x 1.2mm (1/16") handspun aluminium, copper or stainless steel. No upward light or glare projected.

**Lens:**

UV stable polycarbonate lens with anti-glare mesh and dual angle reflector projects light horizontally and at 45° onto the ground.

**Gaskets:**

Silicone, iron impregnated 220°C (428°F)

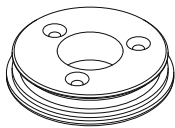
**Mounting:**

Set in concrete in the ground or specify with flange mount option, which bolts to concrete, tiling or wooden decks.

**Luminaire Weight:**

Low voltage  
 Alum: 0.870kg (1lb 15oz)  
 Cop: 2.290kg (5lb 1oz)  
 SS: 2.170kg (4lb 13oz)  
 Retro™  
 Alum: 2.700kg (5lb 15oz)  
 Cop: 5.200kg (11lb 7oz)  
 SS: 4.650kg (10lb 4oz)

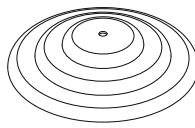
## ACCESSORIES



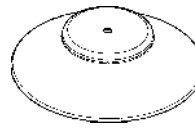
Flange Mount



Flange Mount 90



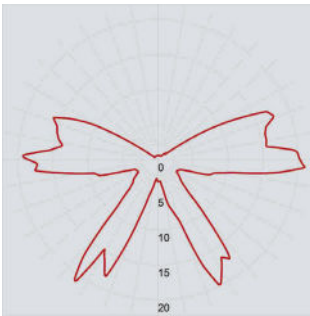
Hood 140mm Contoured



Hood 140mm Smooth

## BEAM ANGLES

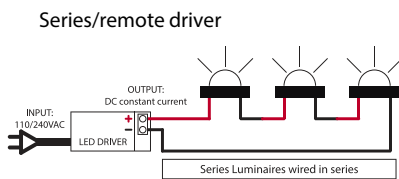
IES files available for download: [hunzalighting.com/downloads](http://hunzalighting.com/downloads)



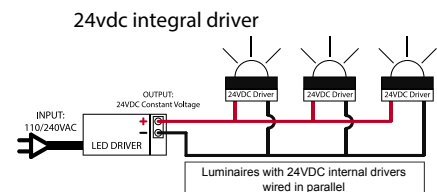
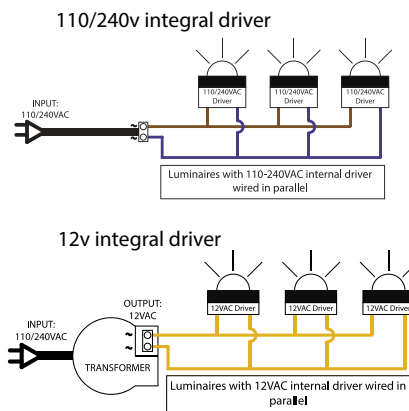
Polycarbonate lens

## WIRING GUIDE

Available for download: [hunzalighting.com/downloads](http://hunzalighting.com/downloads)



Diagrams are a guide only, wire colours and polarity may change depending on fixture and country

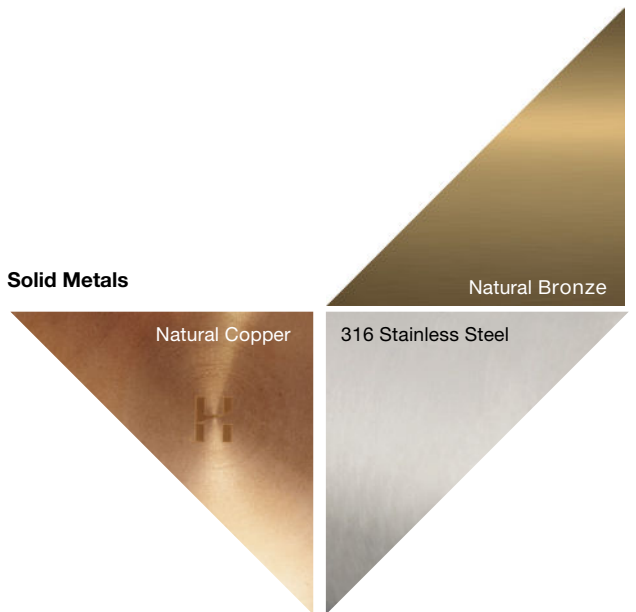


## FINISHES

### Powdercoated Aluminium



### Solid Metals



- Due to the limitation of print and screen resolution these colours should be used as a general guide only
- Solid copper and bronze are natural finishes designed to gradually weather & patina
- Solid stainless steel may acquire a surface tarnish in certain environments. Regular washing is recommended to avoid this.