



## MOON

Suspension lamp finished with Japanese paper and designed with the idea of bringing the moon home. Available in 3 sizes. Moon 60 available as dual emission (DE) with transparent cable. Moon 200 (ø79") - Available upon request.

### DETAILS.

CABLE/CEILING ROSE FINISH AVAILABLE IN: WHITE

MOON 60: Ø23.6" X 102" H

MOON 80: Ø30.7" X 110" H

120V - MAX 25W LED E26

MOON 60DE: Ø23.6" X 102" H

120V - MAX 25W LED E26 + MAX 10W LED GU10

MOON 120: Ø47.2" X 126" H

MOON 200: Ø78.7" X 315" H

120V - MAX 2 X 25W LED E26

CANOPY: Ø5.3" X 1.6" H

CANOPY (MOON 120/200): Ø4.7" X 1.1" H

UL LISTED

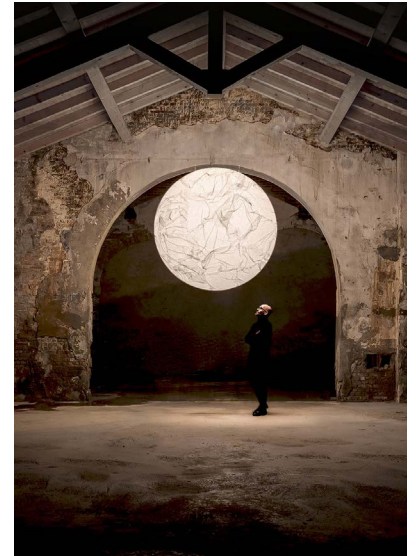
**IIPL**

PLUGLIGHTING.COM  
INFO@PLUGLIGHTING.COM

5665 MELROSE AVENUE  
STE 108 LOS ANGELES 90038

P. 323 467 5635  
F. 323 467 5634

MOON



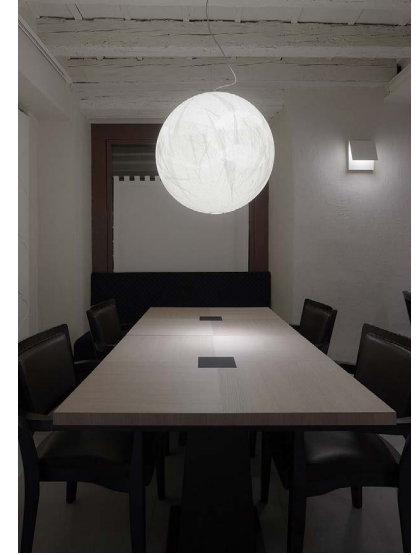
IIPL

PLUGLIGHTING.COM  
INFO@PLUGLIGHTING.COM

5665 MELROSE AVENUE  
STE 108 LOS ANGELES 90038

P. 323 467 5635  
F. 323 467 5634

MOON



II PL

PLUGLIGHTING.COM  
INFO@PLUGLIGHTING.COM

5665 MELROSE AVENUE  
STE 108 LOS ANGELES 90038

P. 323 467 5635  
F. 323 467 5634

MOON



II P L

PLUGLIGHTING.COM  
INFO@PLUGLIGHTING.COM

5665 MELROSE AVENUE  
STE 108 LOS ANGELES 90038

P. 323 467 5635  
F. 323 467 5634

MOON



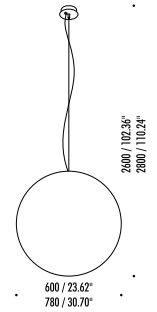
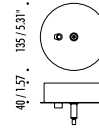
The sizes are expressed in millimeters / inches.

DESIGN DAVIDE GROPPI - 2005  
SUSPENSION LAMP - JAPANESE PAPER - PE



MOON 60 / MOON 80

CEILING ROSE



1A2820003.00.00	STANDARD - ON/OFF	MOON 60 120 V - 60 Hz - MAX 25 W LED - E26 SHADE WITH JAPANESE PAPER TEXTURE WHITE CEILING ROSE - WHITE CABLE - 304 STAINLESS STEEL SUSPENSION CABLE BULB NOT INCLUDED OPTIONAL ACCESSORIES SUSPENSION KIT
1A2840003.00.00	STANDARD - ON/OFF	MOON 80 120 V - 60 Hz - MAX 25 W LED - E26 SHADE WITH JAPANESE PAPER TEXTURE WHITE CEILING ROSE - WHITE CABLE - 304 STAINLESS STEEL SUSPENSION CABLE BULB NOT INCLUDED OPTIONAL ACCESSORIES SUSPENSION KIT

# MOON



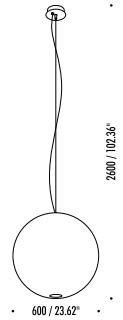
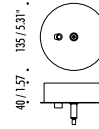
The sizes are expressed in millimeters / inches.

DESIGN DAVIDE GROPPI - 2005  
SUSPENSION LAMP - JAPANESE PAPER - PE



MOON 60 DE

## CEILING ROSE



1A2830003.00.00	STANDARD - ON/OFF	120 V - 60 Hz - MAX 25 W LED - E26 + MAX 10 W LED - GU10
		SHADE WITH JAPANESE PAPER TEXTURE
		WHITE CEILING ROSE - TRANSPARENT CABLE - 304 STAINLESS STEEL SUSPENSION CABLE
		BULBS NOT INCLUDED
		OPTIONAL ACCESSORIES SUSPENSION KIT

**II PL**

PLUGLIGHTING.COM  
INFO@PLUGLIGHTING.COM

5665 MELROSE AVENUE  
STE 108 LOS ANGELES 90038

P. 323 467 5635  
F. 323 467 5634

# MOON



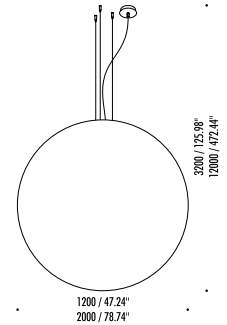
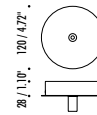
The sizes are expressed in millimeters / inches.

DESIGN DAVIDE GROPPI - 2005  
SUSPENSION LAMP - JAPANESE PAPER - PE



MOON 120 / MOON 200

## CEILING ROSE



1A2850003.00.00	STANDARD - ON/OFF	MOON 120 120 V - 60 Hz - MAX 2 x 25 W LED - E26 SHADE WITH JAPANESE PAPER TEXTURE WHITE CEILING ROSE - WHITE CABLE - 304 STAINLESS STEEL SUSPENSION CABLES BULBS NOT INCLUDED OPTIONAL ACCESSORIES SUSPENSION KIT
49860010	WOODEN CRATE - MOON 120	PACKAGING FOR AIR AND SEA SHIPPING
49860020	MOISTURE BARRIER BAG - MOON 120	
1A2860003.00.00	STANDARD - ON/OFF	MOON 200 120 V - 60 Hz - MAX 4 x 25 W LED - E26 SHADE WITH JAPANESE PAPER TEXTURE WHITE CEILING ROSE - WHITE CABLE - 304 STAINLESS STEEL SUSPENSION CABLES BULBS NOT INCLUDED
48780020	WOODEN CRATE - MOON 200	PACKAGING FOR AIR AND SEA SHIPPING
48780030	MOISTURE BARRIER BAG - MOON 200	

IIPL

PLUGLIGHTING.COM  
INFO@PLUGLIGHTING.COM





5665 MELROSE AVENUE  
STE 108 LOS ANGELES 90038

P. 323 467 5635  
F. 323 467 5634

MOON



OPTIONAL ACCESSORIES

1A0510000.00.00	STANDARD	SLOPED CEILING FIXING KIT - NICKEL PLATED - 1 PIECE	
		COMPATIBLE LAMPS: MASAI - FOSBURY - MOON 120	
1A0520000.00.00	STANDARD	SLOPED ROSE FIXING KIT - NICKEL PLATED - 1 PIECE	
		COMPATIBLE LAMPS: MOON 60 - MOON 60 DE - MOON 80	
1A0530000.00.00	STANDARD	SLOPED CEILING FIXING HOOK - CHROME PLATED - 1 PIECE	
		COMPATIBLE LAMPS: SIMBIOSI - SHANGHAI	
1A3270300.00.00	MATT WHITE	CLAMP - 1 PIECE	
1A3270400.00.00	MATT BLACK		

SUSPENSION KIT

IIPL

PLUGLIGHTING.COM  
INFO@PLUGLIGHTING.COM

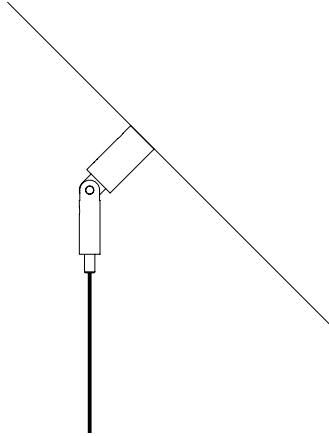
5665 MELROSE AVENUE  
STE 108 LOS ANGELES 90038

P. 323 467 5635  
F. 323 467 5634

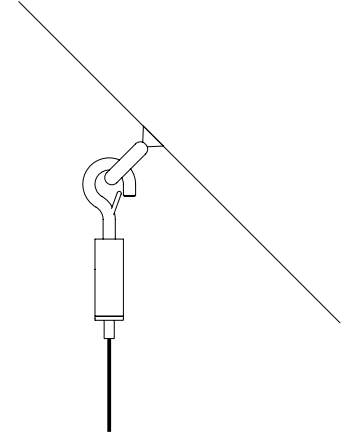


# MOON

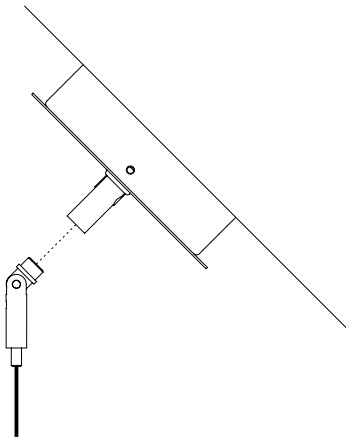
1A0510000.00.00 - SLOPED CEILING FIXING KIT



1A0530000.00.00 - SLOPED CEILING FIXING HOOK



1A0520000.00.00 - SLOPED ROSE FIXING KIT



**II PL**

PLUGLIGHTING.COM  
INFO@PLUGLIGHTING.COM

5665 MELROSE AVENUE  
STE 108 LOS ANGELES 90038

P. 323 467 5635  
F. 323 467 5634