



SUPERNOVA 9528

Supernova is an extensive range of geometrically formed lighting. Available in different diameters and application possibilities. LED features in-house developed printed circuit boards engineered to provide uniform illumination. Surface mounted version available in black or white finish.

DETAILS.

AVAILABLE SIZES:

6528: 25 1/2" Ø X 4 1/2" H

52W LED 5143LM; 1-10V DIMMABLE
3000K CRI 80

9528: 37.4" Ø X 4 1/2" H

121W LED 13043LM; 1-10V DIMMABLE
3000K CRI 80

12528: 49" Ø X 4 1/2" H

245W LED 26269LM; 1-10V DIMMABLE
3000K CRI 80

IP20 - RATED FOR DRY/DAMP LOCATIONS.
ETL LISTED

SUPERNOVA 9528



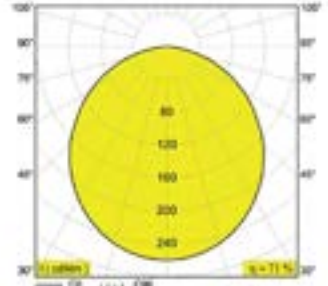
SUPERNOVA 9528



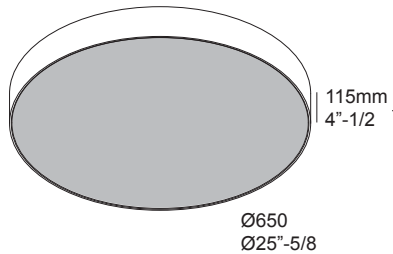
4"



CRI > 80
3000 K FULL / PC SBL LED CLUSTER 46W / 6160lm
6 274 95 6528 ED1 ◊
 ◊ = B / W
 120-277V / 60Hz
 IP20 DAMP



⁽¹⁾Values based on 3000K standard finish



Application
 Ceiling surface mounted
 For indoor use only

Color Finish
 B - Black
 W - White

Light Source
 LED cluster 46W included

Delivered Lumens
 4382lm at 3000K⁽¹⁾

Power Supply
 Dimmable electronic power supply included. 120-277V input, 60Hz.
 1-10V dimmable (100-10% lightoutput)

Specification features
 Surface treated aluminum housing
 Suitable for dry or damp locations
 Protected against solid objects greater than 12mm | 1/2" → IP20
 Weight: 19,1lbs 8,66kg

Dimensions
 Height: 115mm = 4"-1/2
 Diameter: Ø650mm = 25"-5/8

PROJECT INFO

Date _____

Client _____

Project Name _____

Type/Quantity _____





CRI > 80

SUPERNOVA 9528

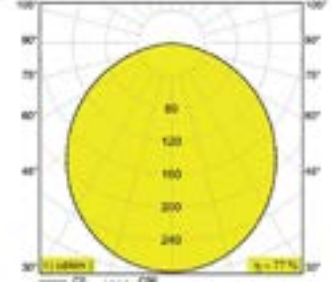
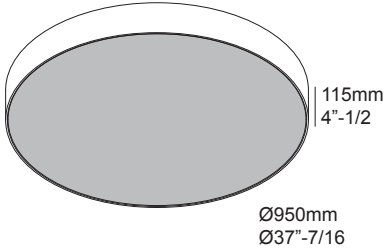
3000 K

FULL / PC SBL LED CLUSTER 105W / 14140lm

6 274 95 9528 ED1 ◊
◊ = B / W

120-277V / 60Hz

27.9 IP20 DAMP



⁽¹⁾Values based on 3000K standard finish

Application

Ceiling surface mounted
For indoor use only

Color Finish

B - Black
W - White

Light Source

LED cluster 105W included

Delivered Lumens

10881lm at 3000K⁽¹⁾

Power Supply

Dimmable electronic power supply included. 120-277V input, 60Hz.
1-10V dimmable (100-10% lightoutput)

Specification features

Surface treated aluminum housing
Suitable for dry or damp locations
Protected against solid objects greater than 12mm | 1/2" → IP20
Weight: 27,9lbs 12,66kg

Dimensions

Height: 115mm = 4"-1/2
Diameter: Ø950mm = 37"-7/16

PROJECT INFO

Date

Client

Project Name

Type/Quantity



Intertek
Conforms to ANSI/UL Std. 1598
Part in CAN/CSA Std. 22.2 No. 250.0



2

4"



CRI > 80

SUPERNOVA 12528

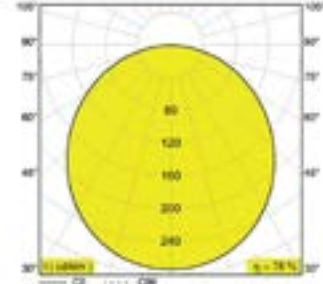
3000 K

FULL / PC SBL LED CLUSTER 208W / 28050lm

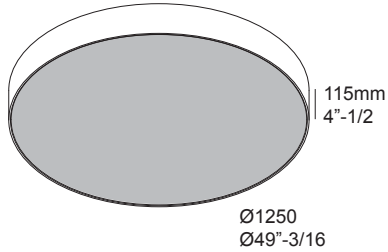
6 274 95 12528 ED1 ◊
◊ = B / W

120-277V / 60Hz

IP20 DAMP



⁽¹⁾Values based on 3000K standard finish



Application

Ceiling surface mounted
For indoor use only

Color Finish

B - Black
W - White

Light Source

LED cluster 208W included

Delivered Lumens

21946lm at 3000K⁽¹⁾

Power Supply

Dimmable electronic power supply included. 120-277V input, 60Hz.
1-10V dimmable (100-10% lightoutput)

Specification features

Surface treated aluminum housing
Suitable for dry or damp locations
Protected against solid objects greater than 12mm | 1/2" → IP20
Weight: 36,5lbs 16,56kg

Dimensions

Height: 115mm = 4"-1/2
Diameter: Ø1250mm = 49"-3/16

PROJECT INFO

Date _____

Client _____

Project Name _____

Type/Quantity _____





CRI > 80

SUPERNOVA 6528 C

3000 K

FULL / PC SBL

LED CLUSTER 46W / 6160lm

10-110V

6 274 97 6528 ED1 ◊
◊ = B / W

INCL. 4 x CABLE SUSP. SINGLE AUTO. 9'
INCL. 1 x CABLE 2 x 18 AWG
INCL. 1 x CABLE 3 x 18 AWG
120-277V / 60Hz

[19.1] IP20 DAMP

FULL INFO TECHNICAL CHAPTER

OPTIONS

INSTALLATION

COVERPLATE R 104

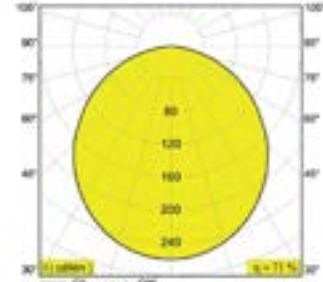
6 204 00 104 ◊
◊ = W

COVERPLATE S 103

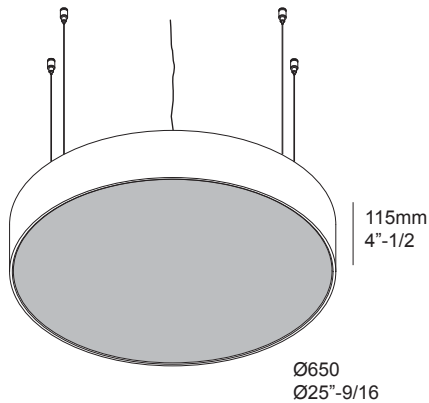
6 204 99 103 ◊
◊ = W

SUPERNOVA 65 RECESSED KIT

274 94 0710



⁽¹⁾Values based on 3000K standard finish



Application

Ceiling suspended / Ceiling recessed
For indoor use only

Color Finish

B - Black
W - White

Light Source

LED cluster 46W included

Delivered Lumens

4382lm at 3000K⁽¹⁾

Power Supply

Dimmable electronic power supply included. 120-277V input, 60Hz.
1-10V dimmable (100-10% lightoutput)

Specification features

Surface treated aluminum housing
Suitable for dry or damp locations
Protected against solid objects greater than 12mm | 1/2" → IP20
Weight: 19,1lbs 8,66kg

Dimensions

Height: 115mm = 4"-1/2
Diameter: Ø650mm = 25"-9/16

PROJECT INFO

Date _____

Client _____

Project Name _____

Type/Quantity _____





CRI > 80

SUPERNOVA 9528 C

3000 K

FULL / PC SBL

LED CLUSTER 105W / 14140lm



6 274 97 9528 ED1 ◊
◊ = B / W

INCL 4 x CABLE SUSP. SINGLE AUTO. 9'
INCL 1 x CABLE 2 x 18 AWG
INCL 1 x CABLE 3 x 18 AWG
120-277V / 60Hz
279 IP20 DAMP

FULL INFO TECHNICAL CHAPTER

OPTIONS

INSTALLATION

COVERPLATE R 104

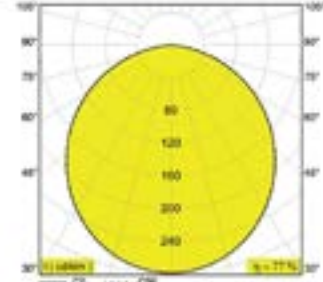
6 204 00 104 ◊
◊ = W

COVERPLATE S 103

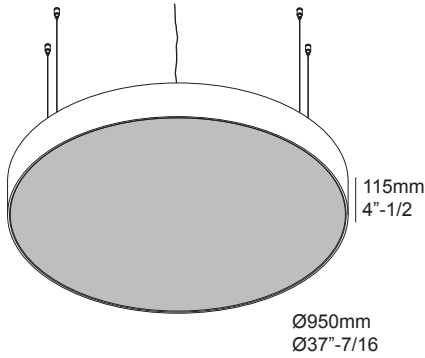
6 204 99 103 ◊
◊ = W

SUPERNOVA 95 RECESSED KIT

274 94 1010



⁽¹⁾Values based on 3000K standard finish



Application

Ceiling suspended / Ceiling recessed
For indoor use only

Color Finish

B - Black
W - White

Light Source

LED cluster 105W included

Delivered Lumens

10881lm at 3000K⁽¹⁾

Power Supply

Dimmable electronic power supply included. 120-277V input, 60Hz.
1-10V dimmable (100-10% lightoutput)

Specification features

Surface treated aluminum housing
Suitable for dry or damp locations
Protected against solid objects greater than 12mm | 1/2" → IP20
Weight: 27,9lbs 12,66kg

Dimensions

Height: 115mm = 4"-1/2
Diameter: Ø950mm = 37"-3/8

PROJECT INFO

Date _____

Client _____

Project Name _____

Type/Quantity _____



Conforms to ANSI/UL Std. 1598
Cert. to CAN/CSA Std. 22.2 No. 250.0



5



CRI > 80

SUPERNOVA 12528 C

3000 K

FULL / PC SBL

LED CLUSTER 208W / 28050lm

1-10V

6 274 97 12528 ED1 ◊
◊ = B / W

INCL 4 x CABLE SUSP. SINGLE AUTO. 9'
INCL 1 x CABLE 2 x 18 AWG
INCL 1 x CABLE 3 x 18 AWG
120-277V / 60Hz
36.5 IP20 DAMP

FULL INFO TECHNICAL CHAPTER

OPTIONS

INSTALLATION

COVERPLATE R 104

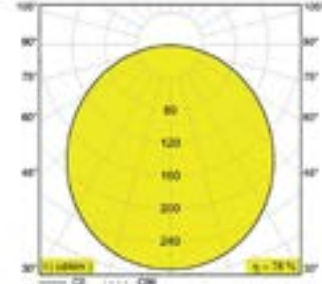
6 204 00 104 ◊
◊ = W

COVERPLATE S 103

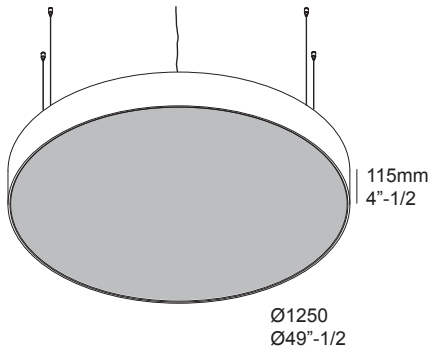
6 204 99 103 ◊
◊ = W

SUPERNOVA 125 RECESSED KIT

274 94 1310



⁽¹⁾Values based on 3000K standard finish



Application

Ceiling suspended / Ceiling recessed
For indoor use only

Color Finish

B - Black
W - White

Light Source

LED cluster 208W included

Delivered Lumens

21946lm at 3000K⁽¹⁾

Power Supply

Dimmable electronic power supply included. 120-277V input, 60Hz.
1-10V dimmable (100-10% lightoutput)

Specification features

Surface treated aluminum housing
Suitable for dry or damp locations
Protected against solid objects greater than 12mm | 1/2" → IP20
Weight: 36,5lbs 16,56kg

Dimensions

Height: 115mm = 4"-1/2
Diameter: Ø1250mm = 49"-3/16

PROJECT INFO

Date _____

Client _____

Project Name _____

Type/Quantity _____





SUPERNOVA 65
FLUORESCENT / PC SBL 3 x T5 14W
 2 x CFL LTS 24W



6 274 95 60 ◊
 ◊ = B / W



6 274 95 60 ED1 ◊
 ◊ = B / W

G5 + 2G11 / 120-277V / 60Hz

IP20 DAMP

FULL INFO TECHNICAL CHAPTER

REQUIREMENTS

INSTALLATION

COVERPLATE R 104

6 204 00 104 ◊

◊ = W

COVERPLATE S 103

6 204 99 103 ◊

◊ = W

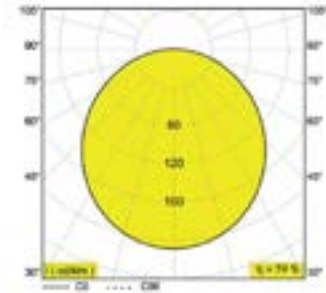
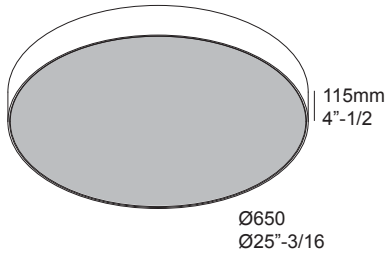
SUSPENSION SET 18 9'

6 328 18 43

INCL.4 x CABLE SUSP. SINGLE AUTO. 9'
 INCL.1 x CABLE 3 x 18 AWG

SUPERNOVA 65 RECESSED KIT

274 94 0710



Application
 Ceiling surface mounted
 For indoor use only

Color Finish
 B - Black
 W - White

Light Source
 G5 + 2G11 / 3x T5 14W / 2x CFL LTS 24W

Specification features
 Surface treated aluminum housing
 Suitable for dry or damp locations
 Protected against solid objects greater than 12mm | 1/2" → IP20
 Weight: 22lbs 9,98kg

Dimensions
 Height: 115mm = 4"-1/2
 Diameter: Ø650mm = 25"-3/16

PROJECT INFO

Date _____

Client _____

Project Name _____

Type/Quantity _____





SUPERNOVA 95
FLUORESCENT / PC SBL 4 x T5 14W
 4 x T5 21W

6 274 95 90 ◇
 ◇ = B / W

6 274 95 90 ED1 ◇
 ◇ = B / W

G5 / 120-277V / 60Hz

IP20 DAMP

FULL INFO TECHNICAL CHAPTER

REQUIREMENTS

INSTALLATION

COVERPLATE R 104

6 204 00 104 ◇
 ◇ = W

COVERPLATE S 103

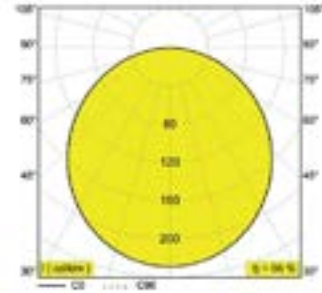
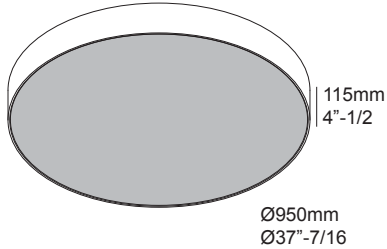
6 204 99 103 ◇
 ◇ = W

SUSPENSION SET 18 9'

6 328 18 43
 INCL.4 x CABLE SUSP. SINGLE AUTO. 9'

SUPERNOVA 95 RECESSED KIT
274 94 1010

INCL.1 x CABLE 3 x 18 AWG



Application
 Ceiling surface mounted
 For indoor use only

Color Finish
 B - Black
 W - White

Light Source
 G5 / 4x T5 14W / 4x T5 21W

Specification features
 Surface treated aluminum housing
 Suitable for dry or damp locations
 Protected against solid objects greater than 12mm | 1/2" → IP20
 Weight: 31,9lbs 14,47kg

Dimensions
 Height: 115mm = 4"-1/2
 Diameter: Ø950mm = 37"-7/16

PROJECT INFO

Date _____

Client _____

Project Name _____

Type/Quantity _____





SUPERNOVA 125	
FLUORESCENT / PC SBL	4 x T5 21W
	4 x T5 28W
	2 x T5 14W
110V	6 274 95 120 ◇ ◇ = B / W
	6 274 95 120 ED1 ◇ ◇ = B / W

G5 / 120-277V / 60Hz

41.8 IP20 DAMP

FULL INFO TECHNICAL CHAPTER

REQUIREMENTS

INSTALLATION

COVERPLATE R 104

6 204 00 104 ◇
◇ = W

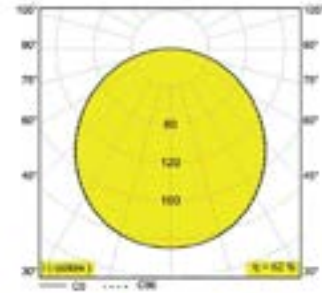
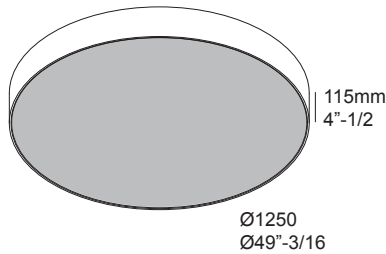
COVERPLATE S 103

6 204 99 103 ◇
◇ = W

SUSPENSION SET 18 9'

6 328 18 43
INCL. 4 x CABLE SUSP. SINGLE AUTO. 9'
INCL. 1 x CABLE 3 x 18 AWG

SUPERNOVA 125 RECESSED KIT
274 94 1310



Application
Ceiling surface mounted
For indoor use only

Color Finish
B - Black
W - White

Light Source
G5 / 4x T5 21W / 4x T5 28W / 2x T5 14W

Specification features
Surface treated aluminum housing
Suitable for dry or damp locations
Protected against solid objects greater than 12mm | 1/2" → IP20
Weight: 41,8lbs 18,96kg

Dimensions
Height: 115mm = 4"-1/2
Diameter: Ø1250mm = 49"-3/16

PROJECT INFO

Date _____

Client _____

Project Name _____

Type/Quantity _____



SUPERNOVA 65 DOWN-UP	
FLUORESCENT / PC SBL	3 x T5 14/24W 2 x CFL LTS 24W
Ilv. NON DIM	6 274 96 60 ◊ ◊ = B / W
Ilv. 1-10V	6 274 96 60 ED1 ◊ ◊ = B / W

INCL.4 x CABLE SUSP. SINGLE AUTO. 9'
INCL.2 x CABLE 5 x 18 AWG
CABLING 2 CIRCUITS
G5 + 2G11 / 120-277V / 60Hz
IP20 DAMP

FULL INFO TECHNICAL CHAPTER

OPTIONS

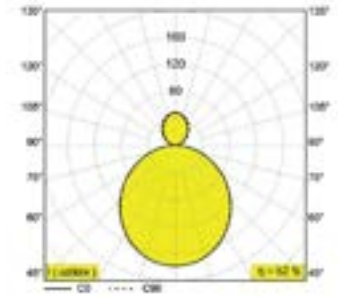
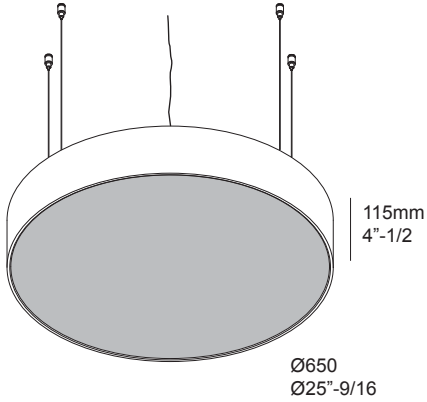
INSTALLATION

COVERPLATE R 104

6 204 00 104 ◊
◊ = W

COVERPLATE S 103

6 204 99 103 ◊
◊ = W



Application
Ceiling suspended
For indoor use only

Color Finish
B - Black
W - White

Light Source
G5 + 2G11 / 3x T5 14W / 2x CFL LTS 24W

Specification features
Surface treated aluminum housing
Suitable for dry or damp locations
Protected against solid objects greater than 12mm | 1/2" → IP20
Weight: 22lbs 9,98kg

Dimensions
Height: 115mm = 4"-1/2
Diameter: Ø650mm = 25"-9/16

PROJECT INFO

Date _____

Client _____

Project Name _____

Type/Quantity _____



SUPERNOVA 95 DOWN-UP

FLUORESCENT / PC SBL

- 4 x T5 24W
- 4 x T5 39W

Ilv.
NON
DIM

6 274 96 90 ◊
◊ = B / W

Ilv.
1-10V

6 274 96 90 ED1 ◊
◊ = B / W

INCL.4 x CABLE SUSP. SINGLE AUTO. 9'
INCL.2 x CABLE 5 x 18 AWG
CABLING 2 CIRCUITS
G5 / 120-277V / 60Hz
IP20 DAMP

FULL INFO TECHNICAL CHAPTER

OPTIONS

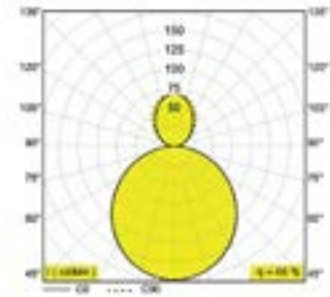
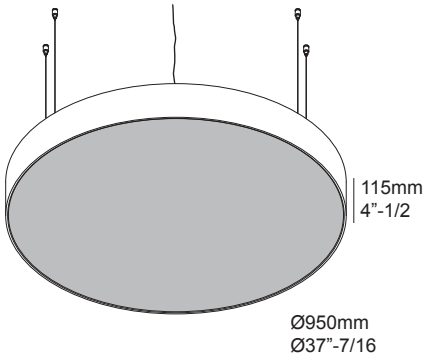
INSTALLATION

COVERPLATE R 104

6 204 00 104 ◊
◊ = W

COVERPLATE S 103

6 204 99 103 ◊
◊ = W



Application
Ceiling suspended
For indoor use only

Color Finish
B - Black
W - White

Light Source
G5 / 4x T5 24W / 4x T5 39W

Specification features
Surface treated aluminum housing
Suitable for dry or damp locations
Protected against solid objects greater than 12mm | 1/2" → IP20
Weight: 31,9lbs 14,47kg

Dimensions
Height: 115mm = 4"-1/2
Diameter: Ø950mm = 37"-7/16

PROJECT INFO

Date _____

Client _____

Project Name _____

Type/Quantity _____



	SUPERNOVA 125 DOWN-UP
FLUORESCENT / PC SBL	<ul style="list-style-type: none"> 4 x T5 39W 4 x T5 54W 2 x T5 24W
Ilv. 1-10V	<ul style="list-style-type: none"> 6 274 96 120 ◇ ◇ = B / W
Ilv. 1-10V	<ul style="list-style-type: none"> 6 274 96 120 ED1 ◇ ◇ = B / W
	INCL 4 x CABLE SUSP. SINGLE AUTO. 9' INCL 2 x CABLE 5 x 18 AWG CABLING 2 CIRCUITS G5 / 120-277V / 60Hz 1.8 IP20 DAMP

FULL INFO TECHNICAL CHAPTER

OPTIONS

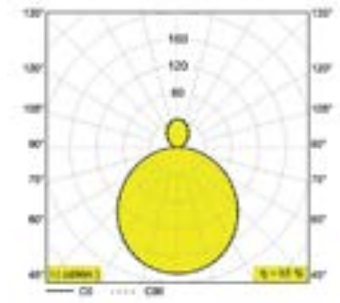
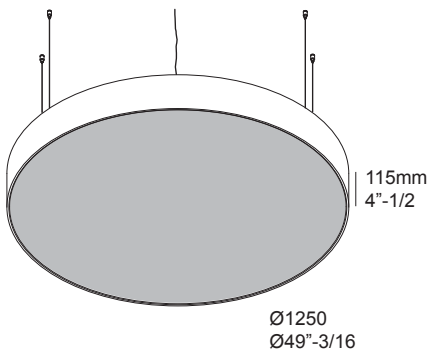
INSTALLATION

COVERPLATE R 104

6 204 00 104 ◇
◇ = W

COVERPLATE S 103

6 204 99 103 ◇
◇ = W



Application
 Ceiling suspended
 For indoor use only

Color Finish
 B - Black
 W - White

Light Source
 G5 / 4x T5 39W / 4x T5 54W / 2x T5 24W

Specification features
 Surface treated aluminum housing
 Suitable for dry or damp locations
 Protected against solid objects greater than 12mm | 1/2" → IP20
 Weight: 41,8lbs 18.96kg

Dimensions
 Height: 115mm = 4"-1/2
 Diameter: Ø1250mm = 49"-3/16

PROJECT INFO

Date _____

Client _____

Project Name _____

Type/Quantity _____

