



## SPLITLINE 29

This graphically refined modular profile effortlessly integrates with architecture. The new dimensions of the Splitline 29 facilitates installation, including perfect 90 degree corner constructions. Comes equipped with easy to use inside cover cabling in between modules that can be hidden. Modules in black finish. Utilizes LED or T5 lighting modules. Please call showroom for more information.

### DETAILS.

PROFILE: 2" W X 3 9/16" H

VISIBLE OPENING: 1 1/8"

LED: 4 X 1W POWER LED, 3000K

INCLUDES 4 X 40° LENS

\*DIMMABLE LED POWER SUPPLY AVAILABLE.

IP20 - RATED FOR DRY/DAMP LOCATIONS.

CLASS II

\*REFER TO SPEC SHEETS FOR INDIVIDUAL LED MODULES.

SPLITLINE 29


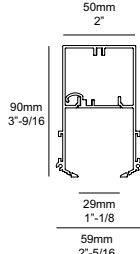


SPLITLINE 29




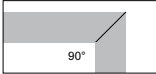
**SPLITLINE 29**

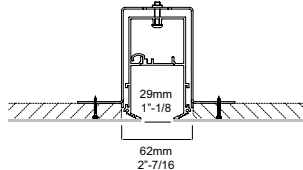


<b>PROFILE</b>	 <p> <b>SPL29 - PROFILE</b> ◊  <b>6 372 29 00</b> ◊                  ◊ = B                  MAX.L / PROFILE: 19'-8"-1/4                  Lb / ft                  [0.2]             </p>  <p>TOL EN12020-2</p>
----------------	--



<b>END CAP</b>	 <p> <b>SPL29 - END CAP</b> ◊  <b>372 29 03 01</b> ◊                  ◊ = B                  [0.2]             </p>  <p>NO MODULE IN THIS AREA 15mm / 9/16"</p> 
----------------	--

<b>CORNER</b>	<p> <b>SPL29 - CORNER 180°</b>  <b>6 372 29 06 01</b>                  [0.7]             </p>  <p> <b>SPL 29 - CORNER 90°</b>  <b>6 372 29 06 06</b>                  [0.7]             </p> 
---------------	--

<b>FIXATION</b>	<p>                 2"-9/16 x (L + 3/16") x 4"-15/16                  max. 1"             </p> <p> <b>SPL29 - CLIP</b>  <b>372 29 14 01</b>                  [0.2]             </p> 
-----------------	--

<b>CURRENT SUPPLY</b>	
-----------------------	--

**SPLITLINE 29 LED**



L 5"-18"



CRI > 80

**SPL29 - 4 LED WW**

3000 K

4 x LED 1.1W / 120lm / 350mA



6 372 29 61 42 ◊  
 ◊ = B

120-277V / 60Hz

0.7 IP20 DAMP



**SPLITLINE 29 LED LINE**

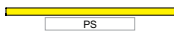
**SPL29 - FTL25F**

INCL.FTL25F  
 INCL.2 x ENDCAP FTL25F  
 INCL.LEDFLEX FP 15.1W/3' / 3000K ●  
 CRI >90 / 1400lm/3'  
 EXCL.LED POWER SUPPLY 24V-DC

Watt L mm / in

1 x 9	614 / 24"	6 372 29 26 062 ◊
1 x 14	914 / 36"	6 372 29 26 092 ◊
1 x 18	1214 / 47"	6 372 29 26 122 ◊
1 x 23	1514 / 59"	6 372 29 26 152 ◊

0.7 IP20 DAMP



◊ = B

EVG ■

**LED POWER SUPPLY 24V-DC**  
 120-277V / 60Hz

Watt

25

6 372 29 24 25


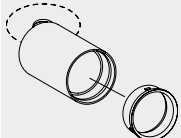

0.4 IP65 λ > 0,9

OTHER CRI OR KELVIN ON REQUEST

FULL INFO TECHNICAL CHAPTER **REQUIREMENTS**

**INSTALLATION**

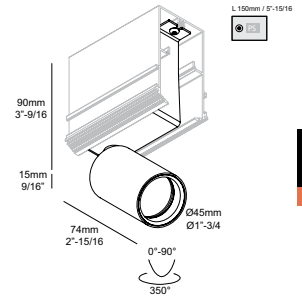
**MIDISPY TUBE** ◊  
**414 03 00** ◊  
◊ = B / MMAT / SG / W

MIDISPY TUBE B   MMAT   SG   W

OTHER CRI OR KELVIN ON REQUEST

**SPLITLINE 29  
- MIDISPY**



CRI > 80	SPL29 - MIDISPY 830
3500 K	LED 4.1W / 425lm / 350mA
[LENS FL 20°]	<b>6 372 29 272 852</b> ◊ ◊ = B / W
3000 K	LED 4.1W / 425lm / 350mA
[LENS FL 20°]	<b>6 372 29 272 832</b> ◊ ◊ = B / W
2700 K	LED 4.1W / 425lm / 350mA
[LENS FL 20°]	<b>6 372 29 272 822</b> ◊ ◊ = B / W
ADJUSTABLE 0-90° / 350° 120V / 60Hz [1.3] IP20 DAMP REQUIREMENTS MIDISPY TUBE	
CRI > 90	SPL29 - MIDISPY 930
3500 K	LED 6.4W / 587lm / 350mA
[REFL WFL 40°]	<b>6 372 29 271 953 ED8</b> ◊ ◊ = B / W
3000 K	LED 6.4W / 587lm / 350mA
[REFL WFL 40°]	<b>6 372 29 271 933 ED8</b> ◊ ◊ = B / W
2700 K	LED 6.4W / 587lm / 350mA
[REFL WFL 40°]	<b>6 372 29 271 923 ED8</b> ◊ ◊ = B / W
ADJUSTABLE 0-90° / 350° 120V / 60Hz [1.3] IP20 DAMP REQUIREMENTS MIDISPY TUBE	