

1050

Double lamp, low-voltage halogen or LED, recessed accent light 4" x 8" aperture. Precision die-formed heavy gauge aluminum with machined adjustable ceiling collar. Custom finishes available. Listed for damp locations; wet listed trim available (ST). Housing options available.

Available in triple or quad lamp configurations.

DETAILS.

2 X 50W MAX, MR-16:

120-277V PRIMARY, 12V SECONDARY WITH OVERLOAD PROTECTION
TRANSFORMER REQ.: MAGNETIC, ELECTRONIC, ELEC. SORAA OR
REMOTE

LED:

120-277V PRIMARY, COMPATIBLE WITH 0-10V DIMMERS
AMBIENT DIM: 2 X 14.5W, 350MA, 1000LM, 1900K-3000K

TRIM OPTIONS/SIZE:

FT: FLANGED TRIM

PT: PANEL TRIM

ST: SHOWER TRIM

ZT: ZERO TRIM

BEAM OPTIONS:

15°, 24°, 38°, 60°

LENS:

90A - CLEAR

91A - SOLITE

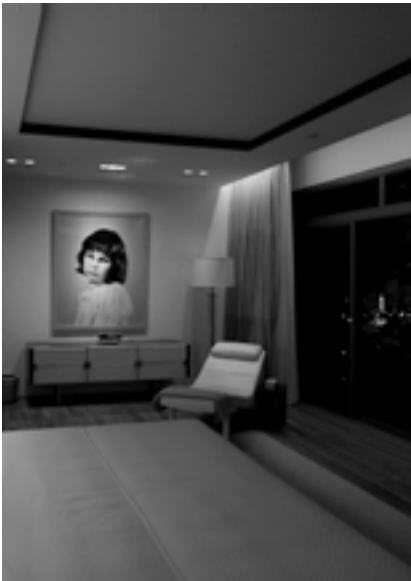
92A - SUPERTEX

93A - FROSTED

UL LISTED



1050



II P L

PLUGLIGHTING.COM
INFO@PLUGLIGHTING.COM

5665 MELROSE AVENUE
STE 108 LOS ANGELES 90038

P. 323 467 5635
F. 323 467 5634

1050



II PL

PLUGLIGHTING.COM
INFO@PLUGLIGHTING.COM

5665 MELROSE AVENUE
STE 108 LOS ANGELES 90038

P. 323 467 5635
F. 323 467 5634

MULTIPLE SQUARE APERTURE ADJUSTABLE ACCENT LIGHT

3105023-2LED-AD-UH

Dual lamp, solid state light engine, recessed accent light with nominal 4"x 8" (100mm x 200mm) rectangular 2 cell aperture and optional glass diffuser. Accent and downlighting in medium to high ceiling heights typically found in residential, commercial and retail applications. Suitable for new construction.

SPECIFICATIONS

HOUSING

- Precision die-formed heavy gauge aluminum with adjustable mounting bracket and die-cast ceiling collar

MOUNTING

- Recessed in architectural ceiling

ELECTRICAL

- Integral dimmable electronic driver with internal short circuit protection
- 120v-277v primary, compatible with 0-10v dimmers / Available for 120v phase control and Lutron

LAMP

- (2) AmbientDim™ LED supplied with fixture

SOCKET

- Precision aluminum yoke with CNC machined lampholder assembly
- Usocket™ allows easy field replacement of light engine

LENS

- Interchangeable reflector provides multiple beam patterns
- Optional borosilicate lenses available for aperture

TRIM

- Flangeless, two piece die-cast aluminum pyramidal shield

FINISH

- Black powder paint housing
- Aperture trim available in black and white as standard
- Solid wood, additional colors, RAL palette, custom finishes available

LABELS

-  US tested to UL standards 1598, Damp location

JOB: _____

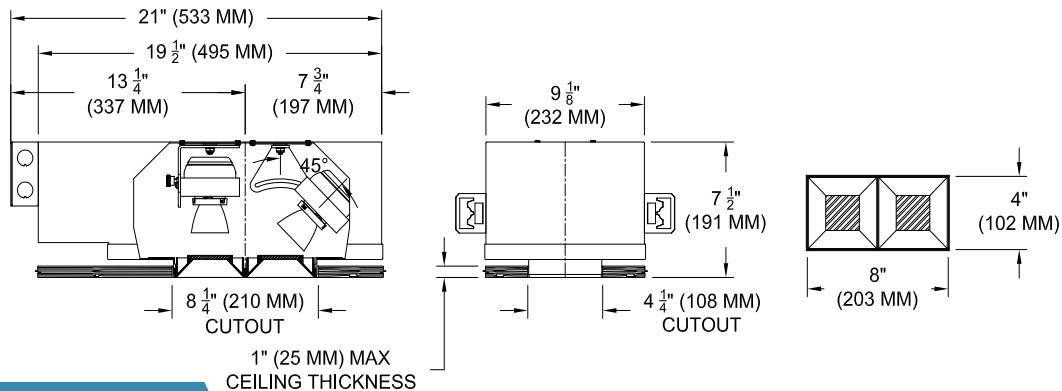
SPECIFIER: _____

TYPE: _____

QUANTITY: _____

SIGNATURE: _____

 AmbientDim™



ORDERING INFORMATION

3105023-2LED-AD-UH	TRIM	DRIVER	BEAMSPREAD	TRIM FINISH	APERTURE LENS
	ZT	AD14			
Universal Housing Ambient Dimming LED *CCT Max 3000K-1900K	ZT=Zero Trim	AD=350ma, 14.5W, 1000lm *Add DM2 for 2 wire dimming *Add LT2 for Lutron 2 wire *Add LT3 for Lutron 3 wire *Add LT4 for Lutron 4 wire *Add LT5 for Lutron 5 wire *Add LTB for Lutron Fade-to-Black	15 = 15 Degrees 24 = 24 Degrees 38 = 38 Degrees 60 = 60 Degrees	P14 = White BLK=Black PXX = SLI Color WXX = Wood XXXX = RAL # CST = Custom	Blank= None 90A = Clear 91A = Solite 92A = Supertex 93A = Frosted

*Lutron Only- 2 circuit box required / Request separate cutsheet

MULTIPLE SQUARE APERTURE ACCENT LIGHT

3105023-2MR16-AUH

Twin lamp, low-voltage halogen recessed accent light with nominal 4" x 8" rectangular 2 cell aperture and flangeless trim. Accent and downlighting in low to medium ceiling heights typically found in commercial and retail applications. Suitable for new construction.

SPECIFICATIONS

HOUSING

- Precision die-formed heavy gauge aluminum with extruded ceiling collar
- Airtight construction suitable for direct contact with insulation

MOUNTING

- Install from below in sheetrock ceiling

ELECTRICAL

- Integral dimmable electronic or toroidal magnetic transformer
- 120v primary lead, (220v, 240v, 277v available), 11.75v secondary with overload protection / Remote transformer available

LAMP

- (2) MR-16, 50w max. supplied by others

SOCKET

- Precision die-formed aluminum yoke with CNC machined lampholder assembly
- G4/G6 ceramic socket with high temperature, teflon coated lead wires

LENS

- Clear pyrex safety lens. Optional borosilicate lenses available for lampholder and aperture

TRIM

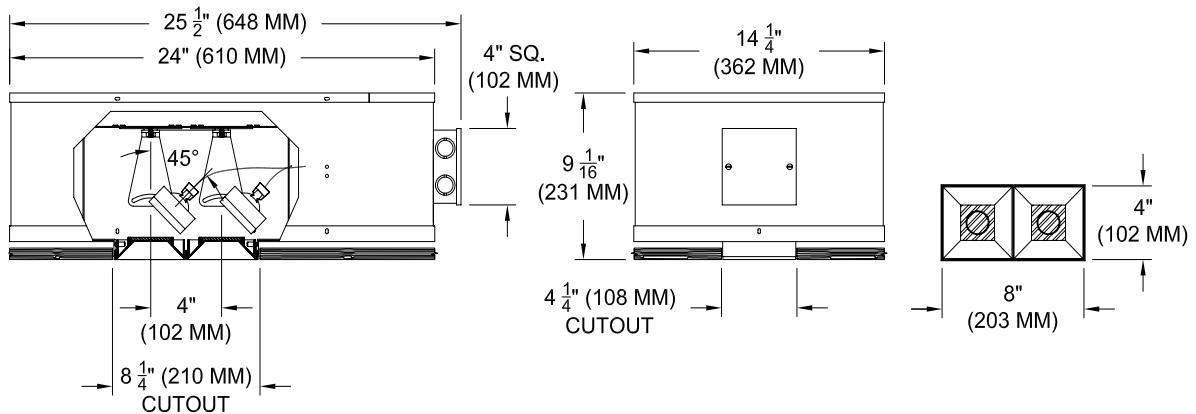
- Flangeless, two piece die-cast aluminum pyramidal shield

FINISH

- Black powder paint housing
- Aperture trim available in black and white as standard
- Solid wood, additional colors, RAL palette, custom finishes available

LABELS

- CSA-C,US, Damp location, IC/Airtight



ORDERING INFORMATION

MODEL	TRIM	TRANSFORMER	LENS HOLDER	LAMP LENS	TRIM FINISH	APERTURE LENS
3105023-2MR16-AUH		277v				
Airtight Universal Housing	ZT=Zero Trim	TX=Magnetic / 120v EX=Electronic / 277v	CL=Conical FL=Flat IL=Indexed	90L = Clear 91L = Solite 92L = Supertex 93L = Frosted 97L = Black Hexcell 98L=UV	P14 = White BLK=Black PXX = SLI Color WXX = Wood XXXX = RAL # CST = Custom	Blank= None 91A = Solite 92A = Supertex 93A = Frosted 95A = Full Prismatic