



LUMELEX 2047

This LED cylinder unit offers high quality and output light with a consistent, even field for demanding applications of museum and retail accent lighting. Gel holder, spread gel and specular asymmetric reflector included. This fixture features vertical and horizontal locking focusing with ON/OFF safety switch (on most mounting types) and 50,000 hour life to 70% lumen output, L70 at 95°F max ambient. Integral dimmer available.

DETAILS.

FINISHES AVAILABLE: BLACK, WHITE, SILVER

120V LED / 65 LM/W / CRI 98

WATTAGES: 13W, 20W OR 23W

COLOR TEMP: 2700K, 3000K, 3500K, 4000K

MOUNTING:

(00) – TRACK FITTING

(0E) – TRACK FITTING W/ INTEGRAL DIMMING

(LT) – LUMENTALK FITTING

(2G) – UNISTRUT FITTING

(3G) – C-CLAMP FITTING

(5A) – CANOPY FITTING

DIMMING:

(TE) – TRAILING EDGE (ELV REVERSE PHASE), 5%

(ED) – INTEGRAL DIMMING, 10% (0E & 5A FITTING ONLY)

(LT) – LUMENTALK, <1% (LT FITTING ONLY)

(10) – 0-10V, 10% (5A FITTING ONLY)

STEM LENGTH: 2 5/16"

BODY LENGTH: 11 3/8"

DIAMETER: 4 1/4"

FIXTURE WEIGHT: 3.5LBS

TESTED TO LM79 AND LM80 PROTOCOLS

***STEM LENGTHS AVAILABLE FROM 4" TO 48"**

LUMELEX 2047



LUMELEX 2047



LX2047 • 120/277V • LED • XICATO 19MM



Remote phosphor technology produces high quality, high output light with a consistent, even field for the most demanding applications of museum and retail accent lighting.

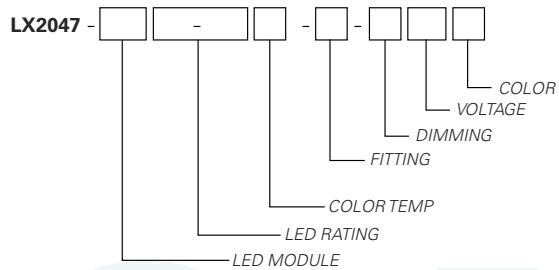
- Designed for the most versatile Xicato™ XTM LED module up to 23 Watts
- Extremely tight color consistency (less than 2 MacAdam Ellipses)
- System efficiency up to 65 lumens/watt
- Backed by Xicato's Five Year Color Consistency and Lumen Maintenance Warranty
- Tested to LM79 and LM80 Protocols
- 50,000 hour life to 70% lumen output, L₇₀ at 95°F max ambient
- Hidden integral electronic driver compatible with various dimmers down to 5%
- Specular asymmetric reflector included
- Gel holder and spread gel included
- Choice of lumen outputs (delivered lumens)
- Choice of color temperature
- Color Rendering Index (CRI) of 98 (high)
- No UV or IR emissions; no mercury or lead
- On/off safety switch (on most mounting types)
- Available with LSI standard mounting options
- Integral dimmer available (track mount only)
- Sturdy aluminum housing
- Vertical and horizontal allen key wrench locking
- Finishes: LSI Black, White, and Silver
- Fixture weight: 3.5 lbs
- All LumeLEX LED modules are field replaceable

FIXTURE PART NUMBERS

Please review the **ORDERING INFORMATION** section on the next page as well as the **MOUNTING OPTIONS** on page 3 to create a part number for each fixture that specifies the following:

- LED Module
- LED Rating
- Color Temperature
- Fitting/Controls (Dimming)
- Voltage
- Finish

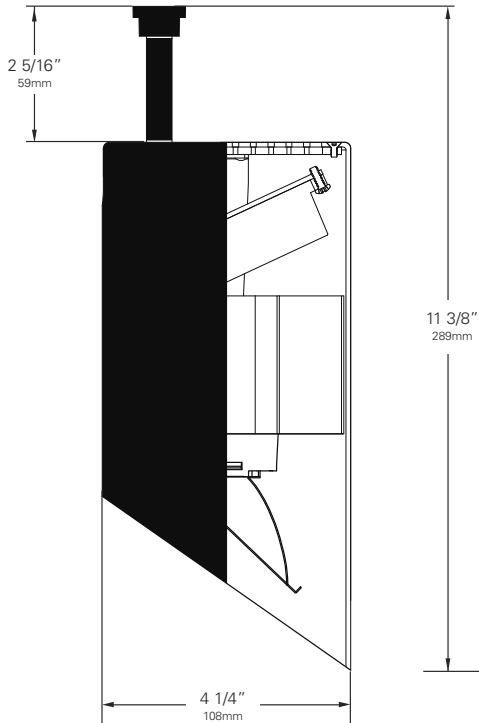
PART NUMBER



Example Part Number: **LX2047-T1920-9827-00-TE120W** is a fixture with a Xicato 19mm LED module, 2000 Lumen/98 CRI/23 Watt LED rating, 2700K Color Temperature, 00 Track fitting with Trailing Edge group dimming capability, 120V and a White finish.

LumeLEX •

LX2047 • 120/277V • LED • XICATO 19MM



Color Temperature & Center Point Tolerance

Color Temp	Center Point	Tolerance
2700K	2700K	+/- 40K
3000K	2950K	+/- 50K
3500K	3420K	+/- 60K
4000K	4000K	+/- 70K

Chromaticity Specifications

LED	R _a -CRI	R _f -Fidelity	R _g -Gamut Area
T19 - 98	98	96	103

XTM 19MM ORDERING INFORMATION

Base Fixture Model

LX2047-T19 (XTM 19mm)

LED Rating (Lumens/CRI/Wattage)

- 10-98 = 1000/98/13
- 13-98 = 1300/98/20
- 20-98 = 2000/98/23

Color Temperature

- 27= 2700K
- 30= 3000K
- 35= 3500K
- 40= 4000K

Fitting/Controls (Dimming)

- 00-TE = Track Fitting & Trailing Edge (5%)
- 0E-ED = Track Fitting & Integral Dimmer (10%)
- EF-TE = Security/Worklight Track Fitting & Trailing Edge (5%)
- 2G-TE = Universal Fitting & Trailing Edge (5%)
- 3G-TE = Pipe Clamp Fitting & Trailing Edge (5%)
- 5A-TE = Canopy Fitting & Trailing Edge (5%)
- 5A-ED = Canopy Fitting & Integral Dimmer (10%)
- 5A-10 = Canopy Fitting & 0-10V (10%)

Voltage

- 120 = 120V
- 230 = 220-240V
- 277 = 277V

Finish

- B = Black
- W = White
- S = Silver

Example Part Number:

LX2047-T19 20-98 27 00-TE 120 W

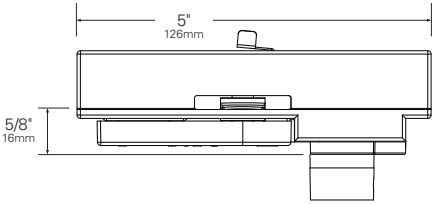
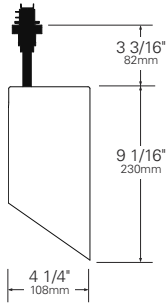
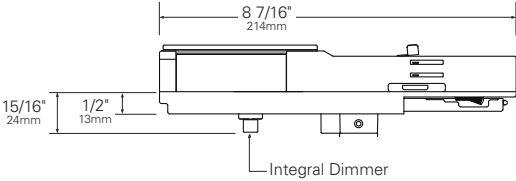
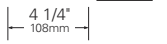
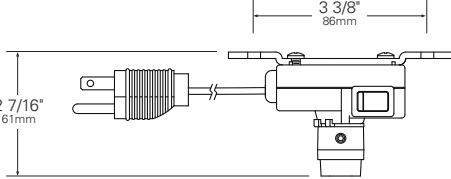
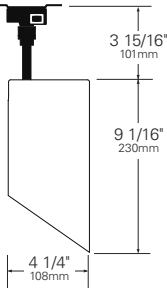
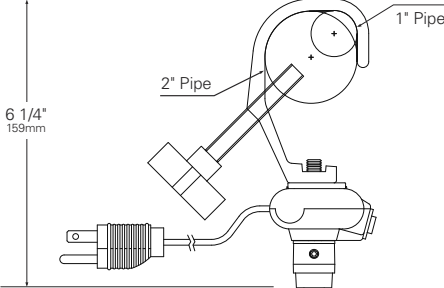
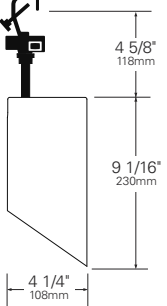
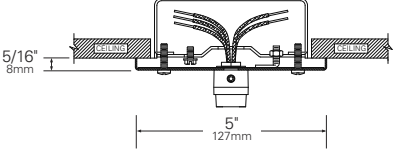
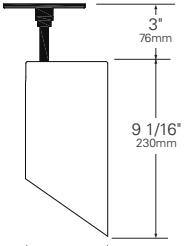
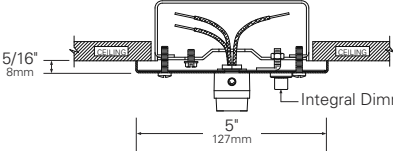
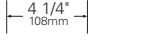
FIXTURE MODEL LED RATING COLOR TEMP FITTING/ DIMMING VOLTAGE FINISH

Other Options (Consult Factory):

- Custom Stems, Specify length (4" – 48")
- Custom color, RAL palette



LX2047 • MOUNTING OPTIONS

FITTING	SIDE VIEW	STEM LENGTH VIEW
<p>00 Track Fitting/ EF Security/Worklight Fitting</p>		
<p>0E-ED Track Fitting with Integral Dimmer</p>	 <p>Integral Dimmer</p>	
<p>2G Universal Fitting</p>		
<p>3G Pipe Clamp Fitting</p>	 <p>1" Pipe 2" Pipe</p>	
<p>5A Canopy Fitting with TE and 0-10V Dimming</p>		
<p>5A-ED Canopy Fitting with Integral Dimmer</p>	 <p>Integral Dimmer</p>	

LX2047 • PERFORMANCE

Delivered Lumens	
LED Module	Optic (Reflector)
Lumens/CRI/Wattage	ASYM.
1000/98/13	850
1300/98/20	1105
2000/98/23	1700

Efficiency = Lumens Per Watt	
LED Module	Optic (Reflector)
Lumens/CRI/Wattage	ASYM.
1000/98/13	65
1300/98/20	55
2000/98/23	74

Absolute range of values are +/- 10% of typical value, and are for all color temperatures

LED Module Lumens/CRI/Wattage Letter Code	1000/98/13 10-98	1300/98/20 13-98	2000/98/23 20-98
Nominal Fixture Power (+/- 20%), Watts	13	20	23
Maximum Inrush Current Amps	10	10	10
Minimum Power Factor	0.92	0.92	0.92

Inrush current is instantaneous current drawn by the LED only when fixture is initially powered on or instantaneously changed from full dim to full bright. For more details see Dimming Application Sheet, IS-0119.

LX2047 • PHOTOMETRIC DATA

For all charts on this page:
A. 3' from wall, 3' on center
B. 4' from wall, 4' on center

Lumen Package 20-98
 Source Lumens
 CRI

2000
98

LX2047 PHOTOMETRIC DATA

DISTANCE FROM CEILING	Unit aimed 5' 3" up wall				Unit aimed 5' 3" up wall				
	A				B				
	1'	2'			1'	2'	3'		
12'	26	32	32	26	20	20	24	20	20
13'	30	34	34	30	22	22	25	22	22
14'	32	37	37	32	25	25	28	25	25
15'	36	40	40	36	28	28	30	28	28
16'	40	45	45	40	31	31	34	31	31
17'	36	40	40	36	28	28	30	28	28
18'	33	36	36	33	26	26	28	26	26
19'	28	32	32	28	21	21	24	21	21
20'	22	26	26	22	18	18	20	18	18
21'	20	22	22	20	16	16	16	16	16
22'	14	14	14	14	10	10	10	10	10
23'	12	13	13	12	10	10	10	10	10

LX2047 • GELS

As the foremost innovator in accent lighting, LSI offers a complete range of pre-cut Gels to modify the spread and color of light for the LumeLEX LED Series.



LumeLEX® BEAM SOFTENER GELS

Size: LX2047 (3.25" x 3.38")	Beam Softener Gel
GELR101-WAL	Beam Softener

LumeLEX® COLOR GELS

Size: LX2047 (3.25" x 3.38")	Gel Color	Size: LX2047 (3.25" x 3.38")	Gel Color
GELR2-WAL	Bastard Amber	GELR312-WAL	Canary
GELR7-WAL	Pale Yellow	GELR3204-WAL	Half Blue
GELR12-WAL	Straw	GELR331-WAL	Shell Pink
GELR13-WAL	Straw Tint	GELR383-WAL	Sapphire Blue
GELR14-WAL	Medium Straw	GELR397-WAL	Pale Grey
GELR21-WAL	Golden Amber	GELR2001-WAL	Storaro Red
GELR25-WAL	Orange Red	GELR2004-WAL	Storaro Green
GELR26-WAL	Light Red	GELR2009-WAL	Storaro Violet
GELR27-WAL	Medium Red	GELR3202-WAL	Full Blue
GELR57-WAL	Lavender	GELR3206-WAL	Third Blue
GELR62-WAL	Booster Blue	GELR3216-WAL	Eighth Blue (Boosts 3200K to 3300K)
GELR71-WAL	Sea Blue	GELR3318-WAL	Tough 1/8 Minusgreen
GELR72-WAL	Azure Blue	GELR3410-WAL	Roscosun (1/8 CTO) (Reduces 5500K to 4900K)
GELR91-WAL	Primary Green	GELR3441-WAL	Full Straw (CTS)
GELR97-WAL	Light Grey	GELR3443-WAL	Quarter Straw (CTS)
GELR98-WAL	Medium Grey	GELR4330-WAL	CalColor 30 Cyan
GELR101-WAL	Light Frost	GELR4415-WAL	CalColor 15 Green
GELR104-WAL	Tough Silk	GELR4490-WAL	CalColor 90 Green
GELR119-WAL	Light Hamburg Frost	GELR4860-WAL	CalColor 60 Pink
GELR121-WAL	Blue Diffusion	GELR4890-WAL	CalColor 90 Pink
GELR305-WAL	Rose Gold	GELR4930-WAL	CalColor 30 Lavender