



## FOCUS SPY CLIP

Minimal surface mounted tube with the ability to “spy” up to 355° around the room and adjustable 0°-90°. Spy Focus Clip features adjustable beam spread from 8°-43° (LP) or 12°-45° (MP).  
Finishes In: Black, Flemish Bronze, Flemish Gold or White.  
Also available with fixed beam spreads - Spy Clip.  
If not used as Class II - Rough-In Housing or Plasterframe with Mounting Kit is required.

### DETAILS.

#### SPY FOCUS CLIP:

4 3/8" H X 2 7/16" Ø

LP: 10W 343LM 34LM/W

MP: 21W 656LM 32LM/W

2700K OR 3000K CRI 90

BACKPLATE: 2 1/4" Ø

RECESSED DEPTH: 1 9/16"

FOCUS SPY CLIP



**II P L**

PLUGLIGHTING.COM  
INFO@PLUGLIGHTING.COM

5665 MELROSE AVENUE  
STE 108 LOS ANGELES 90038

P. 323 467 5635  
F. 323 467 5634



2" x 1"-9/16

CRI > 90

SPY FOCUS CLIP LP

3500 K

LED [Q] 5.9W / 661lm / 350mA  
LED [Q] 8.7W / 914lm / 500mA



6 19877 9500 ◊  
◊ = B-B / FBR-B / FG-B / W-B / W-W

3000 K

LED [Q] 5.9W / 649lm / 350mA  
LED [Q] 8.7W / 896lm / 500mA



6 19877 9300 ◊  
◊ = B-B / FBR-B / FG-B / W-B / W-W

2700 K

LED [Q] 5.9W / 606lm / 350mA  
LED [Q] 8.7W / 837lm / 500mA



6 19877 9200 ◊  
◊ = B-B / FBR-B / FG-B / W-B / W-W

ADJUSTABLE 0-90° / 355°

0.9 IP20 DAMP

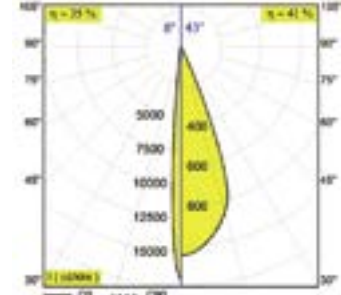
REQUIREMENT

LED POWER SUPPLY 350 / 500mA-DC (REMOTE)

OPTIONS

ROUGH-IN

MOUNTING KIT FLUSH SPY ▶ 6 414 90 01



<sup>(1)</sup>Values based on 3000K standard finish

Application

Finishing section to be used with remote power supply  
For indoor use only

Color Finish

B - Black  
FBR - Flemish Bronze  
FG - Flemish Gold  
W - White

Light Source

One Max. 8.7W LED included

Delivered Lumens

248lm at 2700K<sup>(1)</sup> at 350mA / 343lm at 500mA  
266lm at 3000K<sup>(1)</sup> at 350mA / 367lm at 500mA  
271lm at 3500K<sup>(1)</sup> at 350mA / 375lm at 500mA

Power Supply

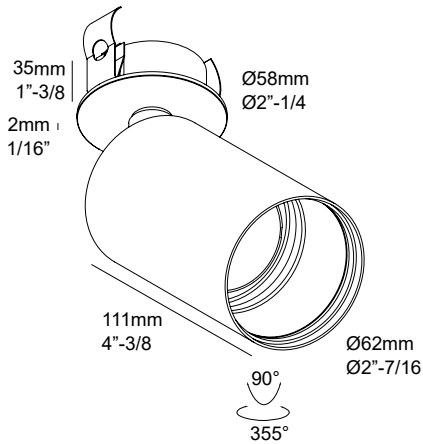
Remote Installation

Specification features

Housing fabricated of powder coated steel, powder coated steel trim  
Pre-installed springs for easy installation  
Suitable for dry and damp location  
Weight: 0.9lbs

Dimensions

Ceiling Cut out: Ø2"



PROJECT INFO

Date

---

Client

---

Project Name

---

Type/Quantity

---



1



2" x 1"-9/16

CRI > 90

SPY FOCUS CLIP MP

3500 K

LED [Q] 12.1W / 1462lm / 350mA  
LED [Q] 17.9W / 2010lm / 500mA



6 19873 9500 ◊  
◊ = B-B / FBR-B / FG-B / W-B / W-W

3000 K

LED [R] 12.1W / 1418lm / 350mA  
LED [R] 17.9W / 1950lm / 500mA



6 19873 9300 ◊  
◊ = B-B / FBR-B / FG-B / W-B / W-W

2700 K

LED [R] 12.1W / 1364lm / 350mA  
LED [R] 17.9W / 1874lm / 500mA



6 19873 9200 ◊  
◊ = B-B / FBR-B / FG-B / W-B / W-W

ADJUSTABLE 0-90° / 355°

0.9 IP20 DAMP

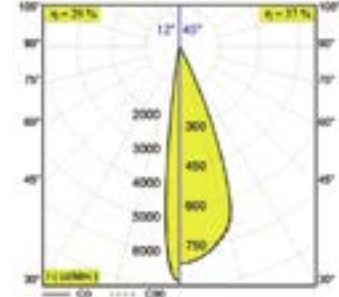
REQUIREMENT

LED POWER SUPPLY 350 / 500mA-DC (REMOTE)

OPTIONS

ROUGH-IN

MOUNTING KIT FLUSH SPY ▶ 6 414 90 01



<sup>(1)</sup>Values based on 3000K standard finish

Application

Finishing section to be used with remote power supply  
For indoor use only

Color Finish

B - Black  
FBR - Flemish Bronze  
FG - Flemish Gold  
W - White

Light Source

One Max. 17.9W LED included

Delivered Lumens

447lm at 2700K<sup>(1)</sup> at 350mA / 656lm at 500mA  
531lm at 3000K<sup>(1)</sup> at 350mA / 682lm at 500mA  
540lm at 3500K<sup>(1)</sup> at 350mA / 704lm at 500mA

Power Supply

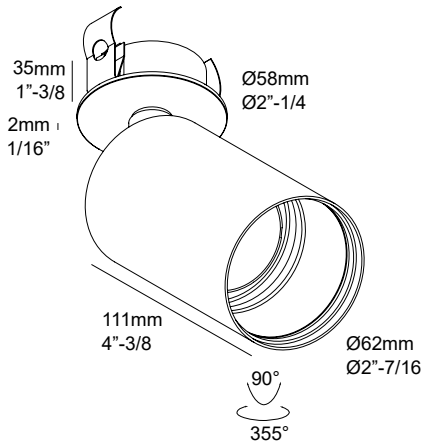
Remote Installation

Specification features

Housing fabricated of powder coated steel, powder coated steel trim  
Pre-installed springs for easy installation  
Suitable for dry and damp location  
Weight: 0.9lbs

Dimensions

Ceiling Cut out: Ø2"



PROJECT INFO

Date

\_\_\_\_\_

Client

\_\_\_\_\_

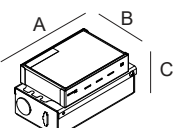
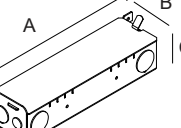
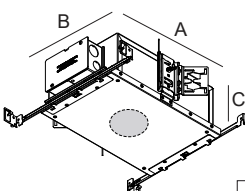
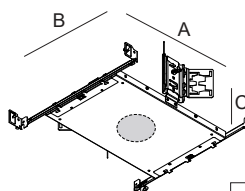
Project Name

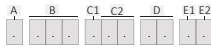
\_\_\_\_\_


Type/Quantity

\_\_\_\_\_



REMOTE POWER SUPPLY	HOUSING	PLASTERFRAME
 <p>ED1 / ED12: A:5"-1/8 x B:3" x C:3" A:131mm x B:76mm x C:76mm</p>  <p>ED7 / ED8 / ED13: A:11"-1/4 x B:2"-1/2 x C:2"-1/2 A:286mm x B:63mm x C:63mm</p>	<p>S-SMALL: A:15"-7/16 x B:8"-11/16 x C:5" A:393mm x B:220mm x C:127mm</p>  <p>IC AT</p>	<p>S-SMALL: A:15"-7/16 x B:8"-11/16 x C:5" A:393mm x B:220mm x C:127mm</p>  <p>NIC</p>



 Indicative opening

REMOTE POWER SUPPLY REQUIREMENTS

Range		POWER			Dimming		Voltage	
A	B		C2		D		E1	
6	300	LED POWER SUPPLY	44	350mA-DC / 19W	ED1	0-10V DIM	3	120-277V
6	300	LED POWER SUPPLY	45	500mA-DC / 25W	ED1	0-10V DIM	3	120-277V
6	300	LED POWER SUPPLY	46	350mA-DC / 11W	ED8	MAINS DIM	1	120V
6	300	LED POWER SUPPLY	90	500mA-DC / 12W	ED8	MAINS DIM	1	120V
6	300	LED POWER SUPPLY	62	500mA-DC / 23W	ED8	MAINS DIM	1	120V
6	300	LED POWER SUPPLY	70	350mA-DC / 13W	ED12	LUTRON* 2-WIRE DIM	1	120V
6	300	LED POWER SUPPLY	72	500mA-DC / 19W	ED12	LUTRON* 2-WIRE DIM	1	120V
6	300	LED POWER SUPPLY	41	350mA-DC / 19W	ED13	LUTRON* ECO DIM	3	120-277V
6	300	LED POWER SUPPLY	45	500mA-DC / 20W	ED13	LUTRON* ECO DIM	3	120-277V

\* DIMMING BY LUTRON - Hi LUME 1%

ROUGH-IN OPTIONS

HOUSING FOR IC AND/OR AIRTIGHT APPLICATIONS

Range		Installation type		POWER & DIMMING			Voltage		
A	B	C1		C2		D	E1		E2
6	202	7	IC/NIC AT S	00	REMOTE POWER SUPPLY	87	0	/	1
6	202	7	IC/NIC AT S FLUSH	00	REMOTE POWER SUPPLY	95	0	/	1

PLASTERFRAME FOR IC/NON-IC APPLICATIONS

Range		Installation type		POWER & DIMMING			Voltage		
A	B	C1		C2		D	E1		E2
6	202	06	IC/NIC S	00	REMOTE POWER SUPPLY	87	0	/	1
6	202	06	IC/NIC S FLUSH	00	REMOTE POWER SUPPLY	95	0	/	1

