

## BORDERLINE

Trimless recessed LED Profile. Suitable for interior/exterior and can be used for both wall and ceiling application featuring a trimless finish. Connectors available in 180° and 90°. Led tape options and 1-10V dimmable driver available – refer to specs.

### DETAILS.

FINISH: WHITE

LENGTHS: 1.5W/FT, 4.5W/FT OR 6W/FT

SIZE: 4 1/4" W X 2 1/16" H

MAX PROFILE LENGTH: 19'-3/4"

## BORDERLINE




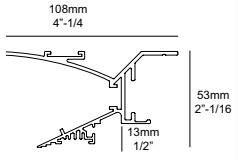
**II P L**

PLUGLIGHTING.COM  
INFO@PLUGLIGHTING.COM

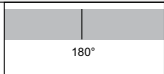
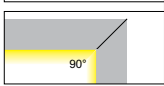
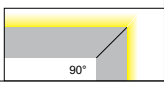
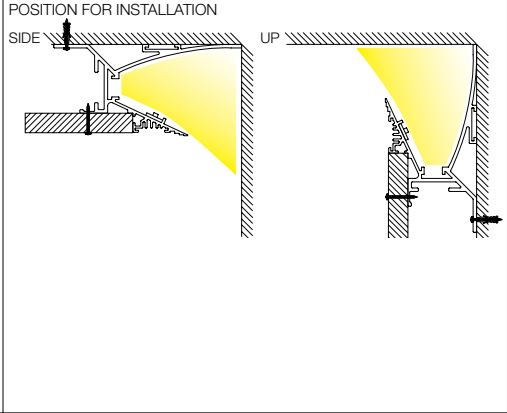
5665 MELROSE AVENUE  
STE 108 LOS ANGELES 90038

P. 323 467 5635  
F. 323 467 5634



<p><b>PROFILE</b></p>	 <p><b>BL - PROFILE</b> ◇  <b>6 371 00 00</b> ◇                  ◇ = W                  MAX.L / PROFILE: 19'-8"-1/4                  Lb / ft</p> <p>108mm 4"-1/4</p>  <p>53mm 2"-1/16</p> <p>13mm 1/2"</p> <p>3.3</p> <p>TOL EN12020-2</p>
-----------------------	---



<p><b>END CAP</b></p>		
<p><b>CORNER</b></p>	<p><b>BL - CORNER 180°</b>  <b>371 06 01</b>                  0.7</p> <p><b>BL - CORNER 90° INT</b>  <b>371 06 06</b>                  0.7</p> <p><b>BL - CORNER 90° EXT</b>  <b>371 06 16</b>                  0.7</p>	 <p>180°</p>  <p>90°</p>  <p>90°</p>
<p><b>FIXATION</b></p>	<p>POSITION FOR INSTALLATION</p>  <p>SIDE UP</p>	
<p><b>CURRENT SUPPLY</b></p>		

**LED FLEX**

5m / 3' - 24V-DC 0.7



CRI > 90

<b>WHITE</b>		<b>TW</b>	<b>NEW</b>	<b>RGB</b>
Dividable per 4" 70 smd LED/3'		Dividable per 2" 140 smd LED/3'	Dividable per 1"-1/4 180 smd LED/3'	Dividable per 6"-9/16 30 smd LED/3'
<b>5.1W/3'</b> 560lm/3' *	<b>15.1W/3'</b> 1400lm/3' *	<b>21.6W/3'</b> 2100lm/3' *	<b>14.4W/3'</b> 1350lm/3' *	<b>8W/3' *</b>

<b>4000 K</b>					
<b>DAMP</b>	<b>IN</b>	<b>LED FLEX IN 940</b> 300 91 52 94	<b>LED FLEX IN FP 940</b> 300 91 53 94		
<b>WET</b>	<b>OUT</b> IP65	<b>LED FLEX OUT 940</b> 300 91 62 94	<b>LED FLEX OUT FP 940</b> 300 91 63 94		
<b>3500 K</b>					
<b>DAMP</b>	<b>IN</b>	<b>LED FLEX IN 935</b> 300 91 52 95	<b>LED FLEX IN FP 935</b> 300 91 53 95	<b>LED FLEX IN HP 935</b> 300 91 54 95	
<b>WET</b>	<b>OUT</b> IP65	<b>LED FLEX OUT 935</b> 300 91 62 95	<b>LED FLEX OUT FP 935</b> 300 91 63 95		
<b>3000 K</b>					
<b>DAMP</b>	<b>IN</b>	<b>LED FLEX IN 930</b> 300 91 52 93	<b>LED FLEX IN FP 930</b> 300 91 53 93	<b>LED FLEX IN HP 930</b> 300 91 54 93	
<b>WET</b>	<b>OUT</b> IP65	<b>LED FLEX OUT 930</b> 300 91 62 93	<b>LED FLEX OUT FP 930</b> 300 91 63 93		
<b>2700 K</b>					
<b>DAMP</b>	<b>IN</b>	<b>LED FLEX IN 927</b> 300 91 52 92	<b>LED FLEX IN FP 927</b> 300 91 53 92	<b>LED FLEX IN HP 927</b> 300 91 54 92	
<b>WET</b>	<b>OUT</b> IP65	<b>LED FLEX OUT 927</b> 300 91 62 92	<b>LED FLEX OUT FP 927</b> 300 91 63 92		
<b>2700 / 4000 K</b>					
<b>DAMP</b>	<b>IN</b>			<b>LED FLEX IN TW</b> 300 91 55 2740	
<b>WET</b>	<b>OUT</b> IP65				
<b>RGB</b>					
<b>DAMP</b>	<b>IN</b>				<b>LED FLEX IN RGB</b> 300 91 52 33
<b>WET</b>	<b>OUT</b> IP65				<b>LED FLEX OUT RGB</b> 300 91 62 33



FULL INFO TECHNICAL CHAPTER					
<b>LED POWER SUPPLY 24V-DC / 40W DIM8</b> 6 300 89 24 40 ED8	max.26'-1/4	max.8'-1/2	max.5'-15/16	max.8'-1/2	max.16'-7/16
<b>LED POWER SUPPLY 24V-DC / 96W DIM1</b> 6 300 89 24 96 ED1	max.59'-1/16	max.19'-11/16	max.12'-1/8 (max.9' / Powerline)	max.19'-11/16	max.36'-11/16

DIM1: dimming by 1-10V  
DIM8: dimming by falling edge dimmer