

1240

Single lamp, low-voltage halogen or LED, recessed wall washer light with nominal 4" square aperture. Precision die-formed heavy gauge aluminum with machined adjustable ceiling collar. Custom finishes available. Listed for damp locations; wet listed trim available (ST). Housing options available.

Available in double or custom lamp configurations.

DETAILS.

1 X 50W MAX, MR-16:

120-277V PRIMARY, 12V SECONDARY WITH OVERLOAD PROTECTION
TRANSFORMER REQ.: MAGNETIC, ELECTRONIC, ELEC. SORAA OR
REMOTE

LED:

120-277V PRIMARY, COMPATIBLE WITH 0-10V DIMMERS
AMBIENT DIM: 1 X 14.5W, 350MA, 1000LM, 1900K-3000K

TRIM OPTIONS/SIZE:

FT: FLANGED TRIM

PT: PANEL TRIM

ST: SHOWER TRIM

ZT: ZERO TRIM

BEAM OPTIONS:

15°, 24°, 38°, 60°

LENS:

90A - CLEAR

91A - SOLITE

92A - SUPERTEX

93A - FROSTED

UL LISTED



1240



IIPL

PLUGLIGHTING.COM
INFO@PLUGLIGHTING.COM

5665 MELROSE AVENUE
STE 108 LOS ANGELES 90038

P. 323 467 5635
F. 323 467 5634

SQUARE APERTURE RECESSED WALL WASHER

3124023-LED-AD-PH

Single lamp, solid state light engine, recessed wall washer with nominal 4" square aperture. Wallwashing in low to high ceiling heights typically found in residential, commercial and retail applications. Suitable for new or existing construction in sheetrock ceilings. AmbientDim™ provides Superior CRI at all dimming levels.

SPECIFICATIONS

HOUSING

- Precision die-formed heavy gauge aluminum with flangeless trim and integrated screed edge

MOUNTING

- Install from below in sheetrock ceiling

ELECTRICAL

- Integral dimmable electronic driver with internal short circuit protection
- 120v-277v primary, compatible with 0-10v dimmers / Available for 120 phase control and Lutron

LAMP

- AmbientDim™ LED supplied with fixture

SOCKET

- Precision aluminum yoke with CNC machined lampholder assembly
- Usocket™** allows easy field replacement of light engine

LENS

- Frosted Supertex borosilicate spread lens, hinged for relamping


TRIM

- Flanged or flangeless, one piece die-cast aluminum pyramidal shield
- ST trim fully sealed and gasketed

FINISH

- Black powder paint housing
- Aperture trim available in black and white as standard
- Solid wood, additional colors, RAL palette, custom finishes available

LABELS

-  US tested to UL standards 1598, Damp location, Wet with ST trim

JOB: _____

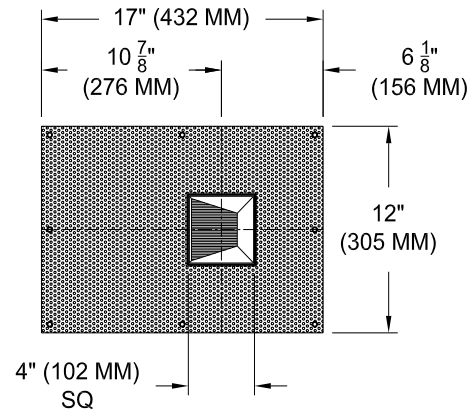
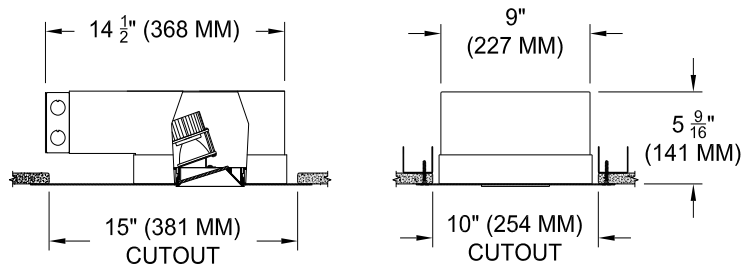
SPECIFIER: _____

TYPE: _____

QUANTITY: _____

SIGNATURE: _____





ORDERING INFORMATION

3124023-LED-AD-PH	TRIM	DRIVER	TRIM FINISH	APERTURE LENS
		AD14		82A
Plaster Housing Ambient Dimming LED *CCT Max 3000K-1900K	FT =Flanged Trim ST =Shower Trim* ZT =Zero Trim *Aperture lens required	AD14 =350ma, 14.5W, 1000lm *Add DM2 for 2 wire dimming *Add LT2 for Lutron 2 wire *Add LT3 for Lutron 3 wire *Add LT5 for Lutron 5 wire	P14 = White BLK =Black PXX = SLI Color WXX = Wood XXX = RAL # CST = Custom	82A = Frosted Supertex

SQUARE APERTURE RECESSED WALL WASHER

3124023-MR16-PH

Single lamp, low-voltage halogen, recessed wall washer with nominal 4" square aperture. Wallwashing in low to medium ceiling heights typically found in residential, commercial and retail applications. Suitable for new or existing construction in sheetrock ceilings.

SPECIFICATIONS

HOUSING

- Precision die-formed heavy gauge aluminum with perforated flangeless trim and integrated screed edge

MOUNTING

- Install from below in sheetrock ceiling

ELECTRICAL

- Integral dimmable electronic or torroidal magnetic transformer
- 120v primary lead, (220v, 240v, 277v available), 11.75v secondary with overload protection
- External thermoprotector

LAMP

- MR-16 NFL(Narrow Flood), 50w max. supplied by others

SOCKET

- Precision die-formed aluminum socket plate
- G4/G6 ceramic socket with high temperature, teflon coated lead wires

LENS

- Supertex borosilicate spread lens, hinged for relamping
- Optional filters available for lampholder


TRIM

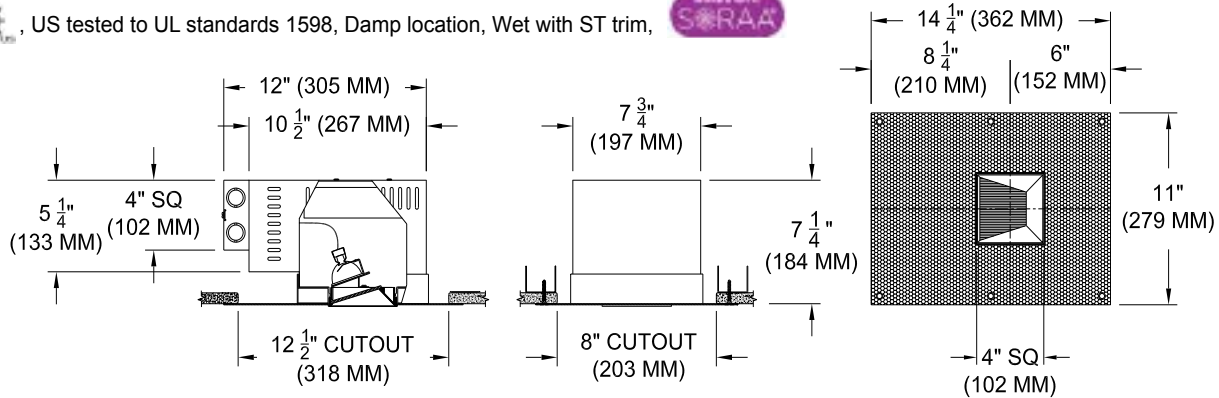
- Flanged or flangeless, one piece die-cast aluminum pyramidal shield
- ST trim fully sealed and gasketed

FINISH

- Black powder paint housing
- Aperture trim available in black and white as standard
- Solid wood, additional colors, RAL palette, custom finishes available

LABELS

-  , US tested to UL standards 1598, Damp location, Wet with ST trim,



ORDERING INFORMATION

MODEL	TRIM	TRANSFORMER	LAMP LENS	TRIM FINISH	APERTURE LENS
3124023-MR16-PH					
Plaster Housing	FT =Flanged Trim ST =Shower Trim* ZT =Zero Trim *Aperture lens required	TX =Magnetic / 120v EX =Electronic / 220v EXS =Elect. SORAA* RX =Remote / 240v 277v *Standard 120v	98L = UV	P14 = White BLK =Black PXX = SLI Color WXX = Wood XXXX = RAL # CST = Custom	82A = Frosted Supertex