

1005

Single lamp, low-voltage halogen or LED, recessed accent light with nominal 4" square aperture. Precision die-formed heavy gauge aluminum with machined adjustable ceiling collar. Custom finishes available. Listed for damp locations; wet listed trim available (ST). Housing options available.

DETAILS.

1 X 50W MAX, MR-16:

**120-277V PRIMARY, 12V SECONDARY WITH OVERLOAD PROTECTION
TRANSFORMER REQ.: MAGNETIC, ELECTRONIC, ELEC. SORAA OR
REMOTE**

LED:

**120-277V PRIMARY, COMPATIBLE WITH 0-10V DIMMERS
AMBIENT DIM: 1 X 14.5W, 350MA, 1000LM, 1900K-3000K**

TRIM OPTIONS/SIZE:

FT: FLANGED TRIM

PT: PANEL TRIM

ST: SHOWER TRIM

ZT: ZERO TRIM

BEAM OPTIONS:

15°, 24°, 38°, 60°

LENS:

90A - CLEAR

91A - SOLITE

92A - SUPERTEX

93A - FROSTED

UL LISTED



1005



II P L

PLUGLIGHTING.COM
INFO@PLUGLIGHTING.COM

5665 MELROSE AVENUE
STE 108 LOS ANGELES 90038

P. 323 467 5635
F. 323 467 5634

SQUARE POCKET APERTURE ADJUSTABLE ACCENT LIGHT

3100523-LED-AD-PH

Single lamp, solid state light engine, recessed accent light with nominal 4" (102mm) square aperture. Accent and downlighting in low to medium ceiling heights typically found in residential, commercial and retail applications. Suitable for new or existing construction in sheetrock ceilings. AmbientDim™ provides Superior CRI at all dimming levels.

JOB: _____

SPECIFIER: _____

TYPE: _____

QUANTITY: _____

SIGNATURE: _____

SPECIFICATIONS

HOUSING

- Extruded aluminum with bolt on end plates and integral plaster flange

MOUNTING

- Install from below in sheetrock ceiling

ELECTRICAL

- Integral dimmable electronic driver with internal short circuit protection
- 120v-277v primary, compatible with 0-10v dimmers. Optional 120v phase control

LAMP

- AmbientDim™ LED supplied with fixture

SOCKET

- Precision aluminum yoke with CNC machined lampholder assembly


LENS

- Solite, Veiling Acrylic available as standard. For more options, consult factory

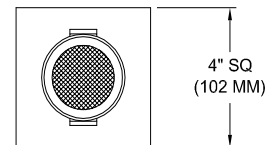
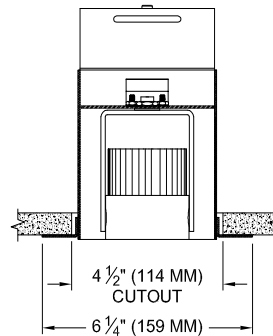
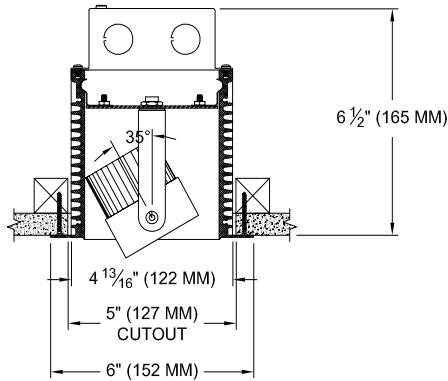
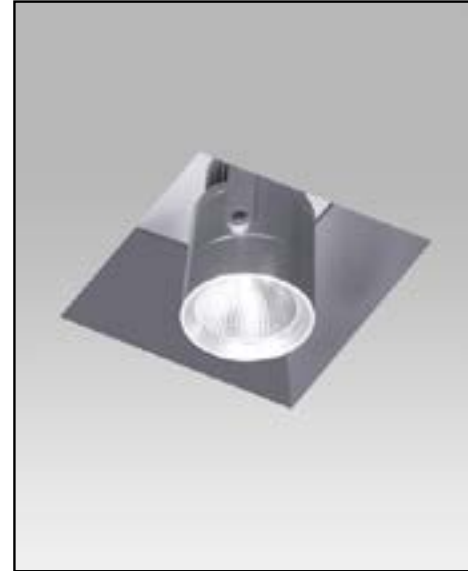
FINISH

- Powder paint on all surfaces in black and white as standard
- Additional colors and RAL palette available
- Consult factory for custom finishes

LABELS

-  , US tested to UL standards 1598, Damp location

AmbientDim™



ORDERING INFORMATION

3100523-LED-AD-PH	DRIVER	BEAMSPREAD	HOUSING FINISH	LAMP LENS	ACCESSORIES
	AD14				
Plaster Housing Ambient Dimming LED *CCT Max 3000K-1900K	AD14=350ma, 14.5W, 1000lm *Add DM2 for 2 wire dimming †Add LT2 for Lutron 2 wire †Add LT3 for Lutron 3 wire †Add LT5 for Lutron 5 wire †Add LTB for Lutron Fade-to-Black	15 = 15 Degrees 24 = 24 Degrees 38 = 38 Degrees 60 = 60 Degrees	P14 = White BLK=Black ANA = Clear Aluminum CST = Custom	Blank= None 79A= Veiling Acrylic 91A = Solite 93A = Frosted	97L= Black Hexcell

†Consult factory for details

SQUARE POCKET APERTURE ADJUSTABLE ACCENT LIGHT

3100523-MR16-PH

Single lamp, low-voltage halogen, recessed accent light, nominal 4"(102mm) square aperture. Accent and downlighting in low to medium ceiling heights typically found in residential, commercial and retail applications. Suitable for new construction

SPECIFICATIONS

HOUSING

- Extruded aluminum with bolt on end plates and integral plaster flange

MOUNTING

- Recessed in architectural ceiling

ELECTRICAL

- Integral dimmable electronic or torroidal magnetic transformer
- 120v primary lead, (220v, 240v, 277v available), 11.75v secondary with overload protection
- External thermoprotector

LAMP

- MR-16, 50w max. supplied by others

SOCKET

- Precision die-formed aluminum yoke with CNC machined lampholder assembly

LENS

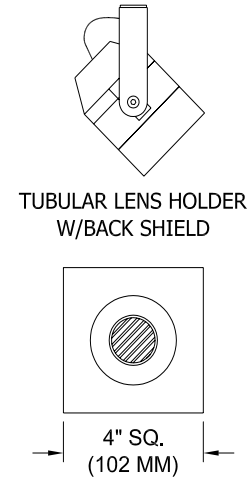
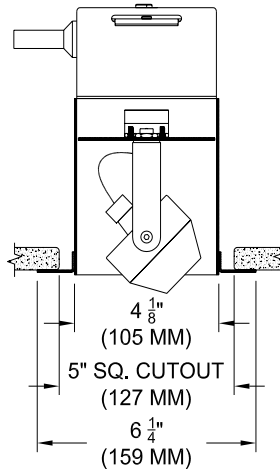
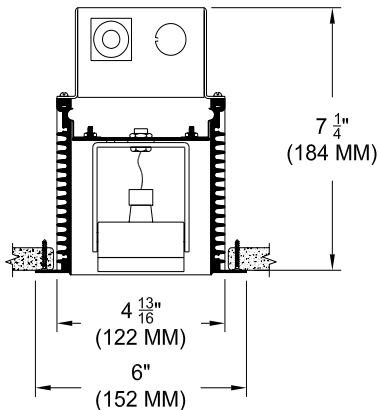
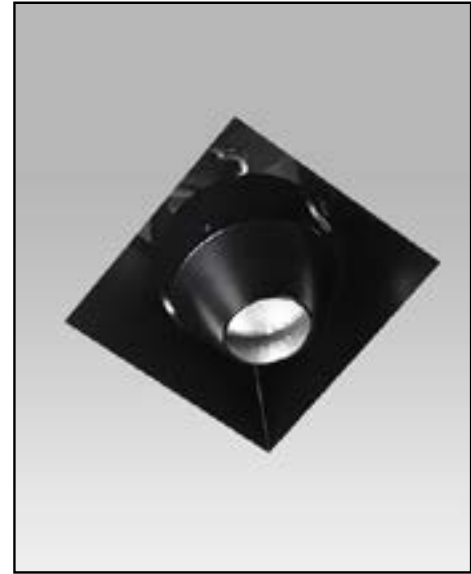
- Clear pyrex safety lens
- Optional borosilicate lenses available for lampholder

FINISH

- Powder paint on all surfaces in black and white as standard
- Additional colors and RAL paalette available
- Consult factory for custom finishe

LABELS

-  , US tested to UL standards 1598, Damp location,



ORDERING INFORMATION

MODEL	TRANSFORMER	LENS HOLDER	LAMP LENS	FINISH	APERTURE LENS
3100523-MR16-PH					
Plaster Flange Housing	TX =Magnetic / 120v EX =Electronic / 220v** EXS =Elect. SORAA* RX =Remote / 240v 277v **EX image shown above *Standard 120v	CL =Conical FL =Flat IL =Indexed* TL =Tubular *92L Only	90L = Clear 91L = Solite 92L = Supertex 93L = Frosted 95L = Full Prismatic 97L = Black Hexcell 98L = UV	P14 = White BLK =Black PXX = SLI Color XXXX = RAL # CST = Custom	BS = Back Shield PD = Pull Down Yoke