



1001

Single lamp, low-voltage halogen or LED, recessed accent light with conical trim 2" aperture and optional glass diffuser. Precision die-formed heavy gauge aluminum with machined adjustable ceiling collar. Custom finishes available. Listed for damp locations; wet listed trim available (ST). Housing options available.

Available in double or triple lamp configurations.

DETAILS.

1 X 50W MAX, MR-16:

120-277V PRIMARY, 12V SECONDARY WITH OVERLOAD PROTECTION
TRANSFORMER REQ.: MAGNETIC, ELECTRONIC, ELEC. SORAA OR
REMOTE

LED:

120-277V PRIMARY, COMPATIBLE WITH 0-10V DIMMERS
AMBIENT DIM: 1 X 14.5W, 350MA, 1000LM, 1900K-3000K

TRIM OPTIONS/SIZE:

FT: FLANGED TRIM
PT: PANEL TRIM
ST: SHOWER TRIM
ZT: ZERO TRIM

BEAM OPTIONS:

15°, 24°, 38°, 60°

LENS:

90A - CLEAR
91A - SOLITE
92A - SUPERTEX
93A - FROSTED

UL LISTED

REGRESSED CONICAL APERTURE ADJUSTABLE ACCENT LIGHT

3100123-LED-AD-AUH

Single lamp, solid state light engine, recessed accent light, nominal 4" (100mm) conical trim with 2" (50mm) aperture and optional glass diffuser. Accent and downlighting in medium to high ceiling heights typically found in residential, commercial and retail applications. AmbientDim™ provides Superior CRI at all dimming levels.

SPECIFICATIONS

HOUSING

- Precision die-formed heavy gauge aluminum with machined adjustable ceiling collar
- ≈ Airtight construction suitable for direct contact with insulation

MOUNTING

- Recessed in architectural ceiling

ELECTRICAL

- Integral dimmable electronic driver with internal short circuit protection
- 120v-277v primary, compatible with 0-10v dimmers / Available for 120 phase control and Lutron.

LAMP

- AmbientDim™ LED supplied with fixture
- Max 3000K-1900K dimming range

SOCKET

- Precision aluminum yoke with CNC machined lampholder assembly
- **Usocket™** allows easy field replacement of light engine

LENS

- Interchangeable reflector provides multiple beam patterns. Optional borosilicate lenses available for aperture


TRIM

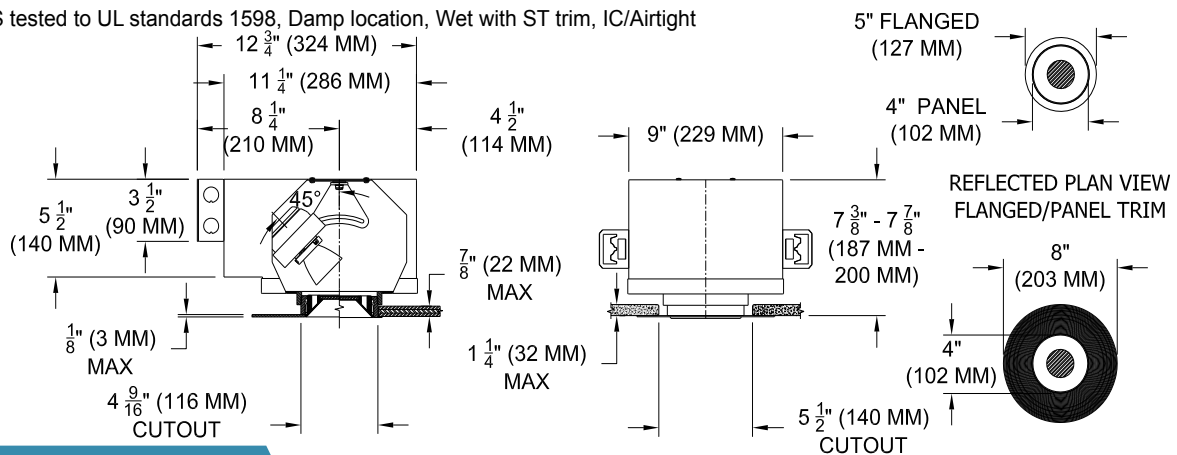
- Diecast aperture plate with flanged or flangless ceiling collar
- ST trim for wet location

FINISH

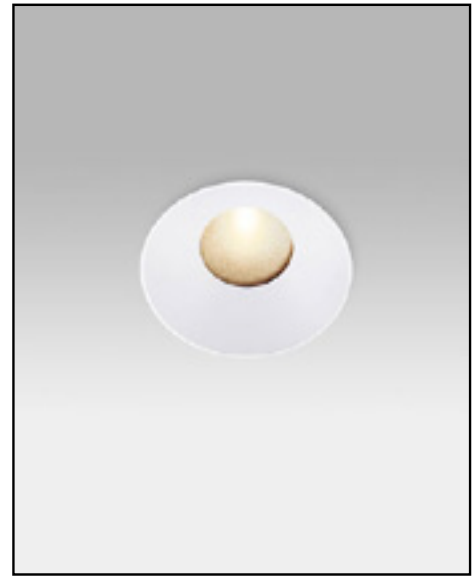
- Black powder paint housing
- Aperture trim available in black and white as standard
- Solid wood, additional colors, RAL palette, custom finishes available

LABELS

-  , US tested to UL standards 1598, Damp location, Wet with ST trim, IC/Airtight



AmbientDim™



ORDERING INFORMATION

3100123-LED-AD-AUH	TRIM	DRIVER	BEAMSPREAD	FINISH	APERTURE LENS
		AD14			
Airtight Universal Housing Ambient Dimming LED *CCT Max 3000K-1900K	FT =Flanged Trim PT =Panel Trim** ST =Shower Trim* ZT =Zero Trim **WXX only *Aperture lens required	AD14 =350ma, 14.5W, 1000lm *Add DM2 for 2 wire dimming *Add LT2 for Lutron 2 wire *Add LT3 for Lutron 3 wire *Add LT5 for Lutron 5 wire *Add LTB for Lutron Fade-to-Black	15 = 15 Degrees 24 = 24 Degrees 38 = 38 Degrees 60 = 60 Degrees	P14 = White BLK =Black PXX = SLI Color WXX = Wood XXXX = RAL # CST = Custom	Blank = None 90A = Clear 91A = Solite 92A = Supertex 93A = Frosted

REGRESSED CONICAL APERTURE ACCENT LIGHT

3100123-MR16-AUH

Single lamp, low-voltage halogen, recessed accent light, nominal 4" (100mm) diameter conical trim with 2" (50mm) aperture and optional glass diffuser. Accent and downlighting in low to medium ceiling heights typically found in residential, commercial and retail applications. Suitable for new construction.

SPECIFICATIONS

HOUSING

- Precision die-formed heavy gauge aluminum with machined adjustable ceiling collar
- Airtight construction suitable for direct contact with insulation

MOUNTING

- Recessed in architectural ceiling

ELECTRICAL

- Integral dimmable electronic or torroidal magnetic transformer
- 120v primary lead, (220v, 240v, 277v available), 11.75v secondary with overload protection
- External thermoprotector

LAMP

- MR-16, 50w max. supplied by others

SOCKET

- Precision die-formed aluminum yoke with CNC machined lampholder assembly
- G4/G6 ceramic socket with high temperature, teflon coated lead wires

LENS

- Clear pyrex safety lens
- Optional borosilicate lenses available for lampholder and aperture


TRIM

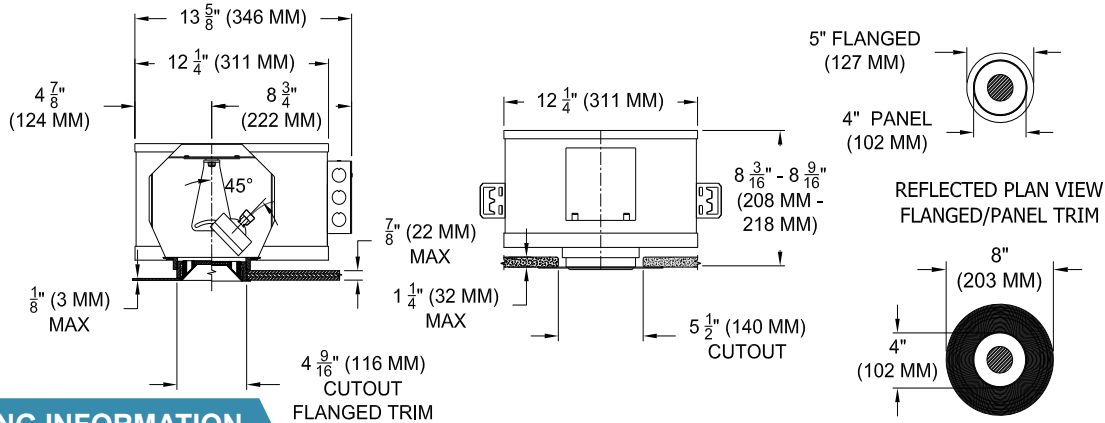
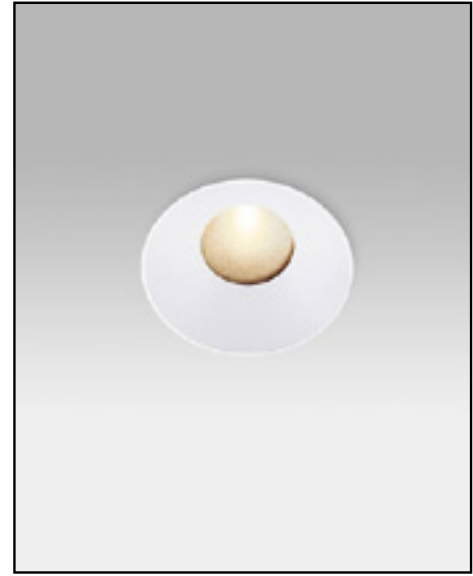
- Flanged or flangeless, one piece die-cast aluminum conical shield with round aperture
- ST trim fully sealed and gasketed

FINISH

- Black powder paint housing
- Aperture trim available in black and white as standard
- Solid wood, additional colors, RAL palette, custom finishes available

LABELS

-  , US tested to UL standards 1598, Damp location, Wet with ST trim, IC/Airtight,



ORDERING INFORMATION

MODEL	TRIM	TRANSFORMER	LENS HOLDER	LAMP LENS	FINISH	APERTURE LENS
3100123-MR16-AUH						
Airtight Universal Housing	FT =Flanged Trim PT =Panel Trim** ST =Shower Trim* ZT =Zero Trim **WXX Only *Aperture lens required	TX =Magnetic / 120v EX =Electronic / 220v EXS =Elect. SORAA* RX =Remote / 240v 277v *Standard 120v	CL =Conical FL =Flat IL =Indexed* *92L Only	90L = Clear-Standard 91L = Solite 92L = Supertex 93L = Frosted 97L = Black Hexcell 98L = UV	P14 = White BLK =Black PXX = SLI Color WXX = Wood XXXX = RAL # CST = Custom	Blank = None 91A = Solite 92A = Supertex 93A = Frosted 95A = Full Prismatic