



MIDISPY TRIMLESS

Midispy Trimless, a compact tube that can be completely or half sunk into the ceiling using a kit for recessed mounting. With this kit, the Midispy can also be surface mounted and able to spy' up to 355° around the room; adjustable 0°-90°.

Requires mounting kit midispy trimless.

DETAILS.

FINISHES AVAILABLE IN:

BLACK

WHITE

2 15/16" H X 1 3/4" Ø

8W 488LM 66 LM/W

CRI 90 2700K

40° BEAM SPREAD

RECESSED DEPTH: 5 1/8"

MOUNTING KIT REQUIRED.

IP20 - RATED FOR DRY/DAMP LOCATIONS.

ETL LISTED

*DIMMABLE LED POWER SUPPLY AVAILABLE.

MIDISPY TRIMLESS



MIDISPY TRIMLESS





CRI > 80	MIDISPY TRIMLESS
3500 K	LED [C] 4.1W / 425lm / 350mA
LENS FL 20°	6 414 222 852 ◊ ◊ = B / W
3000 K	LED [C] 4.1W / 425lm / 350mA
LENS FL 20°	6 414 222 832 ◊ ◊ = B / W
2700 K	LED [C] 4.1W / 425lm / 350mA
LENS FL 20°	6 414 222 822 ◊ ◊ = B / W

ADJUSTABLE 0-90° / 355°
0.4 IP20 DAMP

FULL INFO TECHNICAL CHAPTER

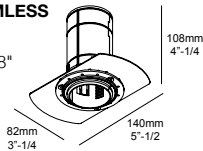
REQUIREMENTS

INSTALLATION

MOUNTING KIT MIDISPY TRIMLESS
6 414 90 02

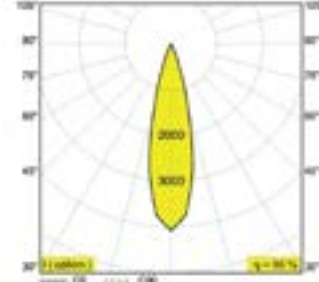
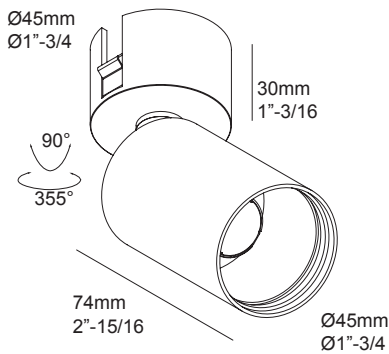
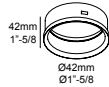
3"- 2/8 1/2" or 3/8" or 5/8"

0.9



MIDISPY TUBE ◊

414 03 00 ◊
◊ = B / MMAT / SG / W



⁽¹⁾Values based on 3000K standard finish

Application

Finishing section to be used with DELTA LIGHT rough-in housing or Mounting kit Midispy Trimless included in rough-in.
For indoor use only

Color Finish

B - Black
W - White

Light Source

One Max. 4,1W LED included

Delivered Lumens

359lm at 2700K⁽¹⁾ at 350mA and 20°
359lm at 3000K⁽¹⁾ at 350mA and 20°
359lm at 3500K⁽¹⁾ at 350mA and 20°

Power Supply

Remote installation

Specification features

Housing fabricated of powder coated steel, powder coated steel trim
Pre-installed springs for easy installation
Suitable for dry and damp location
Weight: 0,4lbs 0,18kg

Dimensions

Height: 74mm = 2"-15/16
Diameter: Ø45mm = Ø1"-3/4

PROJECT INFO

Date _____

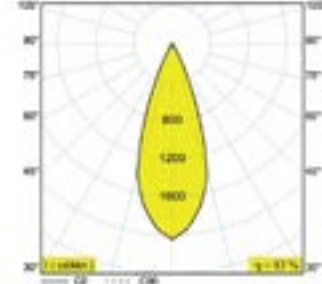
Client _____

Project Name _____

Type/Quantity _____



CRI > 90	MIDISPY TRIMLESS
3500 K	LED [D] 6.4W / 587lm / 350mA
REFL WFL 40°	6 414 221 953 ◇ ◇ = B / W
3000 K	LED [D] 6.4W / 587lm / 350mA
REFL WFL 40°	6 414 221 933 ◇ ◇ = B / W
2700 K	LED [D] 6.4W / 587lm / 350mA
REFL WFL 40°	6 414 221 923 ◇ ◇ = B / W
ADJUSTABLE 0-90° / 355°	
0.4 IP20 DAMP	



⁽¹⁾Values based on 3000K standard finish

Application

Finishing section to be used with DELTA LIGHT rough-in housing or Mounting kit Midispy Trimless included in rough-in. For indoor use only

Color Finish

B - Black
W - White

Light Source

One Max. 6,4W LED included

Delivered Lumens

488lm at 2700K⁽¹⁾ at 350mA and 40°
488lm at 3000K⁽¹⁾ at 350mA and 40°
488lm at 3500K⁽¹⁾ at 350mA and 40°

Power Supply

Remote installation

Specification features

Housing fabricated of powder coated steel, powder coated steel trim
Pre-installed springs for easy installation
Suitable for dry and damp location
Weight: 0,4lbs 0,18kg

Dimensions

Height: 74mm = 2"-15/16
Diameter: Ø45mm = Ø1"-3/4

FULL INFO TECHNICAL CHAPTER

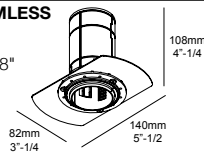
REQUIREMENTS

INSTALLATION

MOUNTING KIT MIDISPY TRIMLESS
6 414 90 02

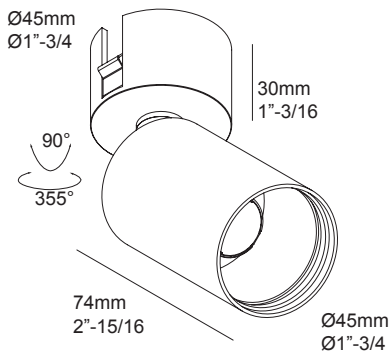
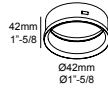
3" - 2/8 1/2" or 3/8" or 5/8"

0.9



MIDISPY TUBE ◇

414 03 00 ◇
◇ = B / MMAT / SG / W



PROJECT INFO

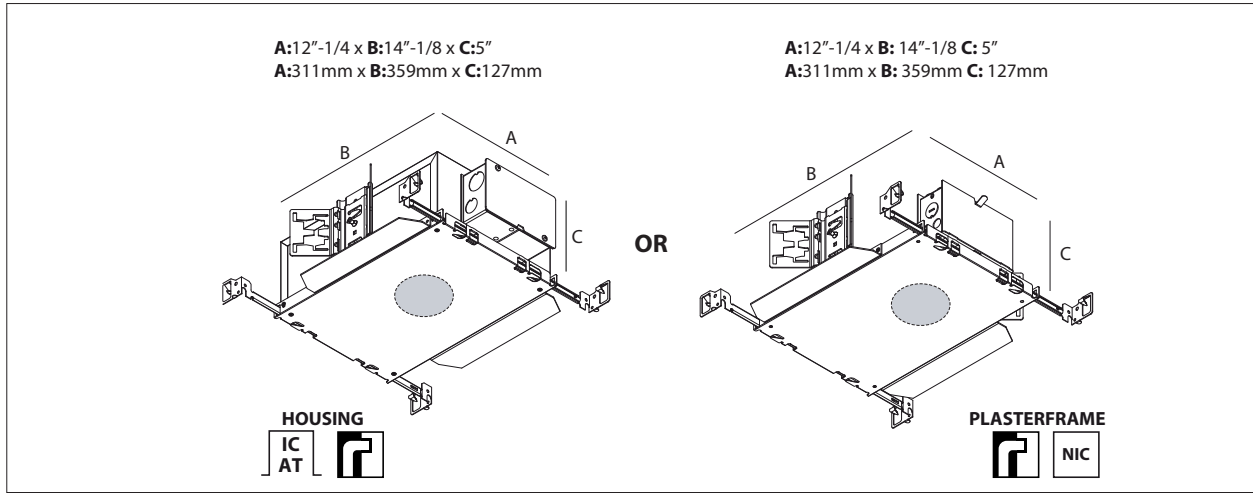
Date

Client

Project Name

Type/Quantity





● Indicative opening

HOUSING FOR IC AND/OR AIRTIGHT APPLICATIONS

ROUGH-IN REQUIREMENTS

		RANGE		INSTALLATION TYPE		POWER & DIMMING		VOLTAGE		MOUNTING OPTION			
		A	B	C1	C2	D	E1	1 - 120V 2 - 277V 3 - 120-277V 4 - 347V*		0 - NO BAR HANGERS 1 - BAR HANGERS STANDARD			
		A	B	C1	C2	D	E1			E2			
MIDISPY TRIMLESS 4.1W		6	202	7	IC/NIC AT HOUSING S	00	/	POWER SUPPLY REMOTE	79	0	/	1	BAR HANGERS STANDARD
MIDISPY TRIMLESS 6.4W		6	202	7	IC/NIC AT HOUSING S	00	/	POWER SUPPLY REMOTE	86	0	/	1	BAR HANGERS STANDARD

PLASTERFRAME FOR NON-IC APPLICATIONS

		RANGE		INSTALLATION TYPE		POWER & DIMMING		VOLTAGE		MOUNTING OPTION			
		A	B	C1	C2	D	E1	1 - 120V 2 - 277V 3 - 120-277V 4 - 347V*		0 - NO BAR HANGERS 1 - BAR HANGERS STANDARD			
		A	B	C1	C2	D	E1			E2			
MIDISPY TRIMLESS 4.1W		6	202	06	IC PLASTERFRAME S	00	/	POWER SUPPLY REMOTE	79	0	/	1	BAR HANGERS STANDARD
MIDISPY TRIMLESS 6.4W		6	202	01	NIC PLASTERFRAME S	00	/	POWER SUPPLY REMOTE	86	0	/	1	BAR HANGERS STANDARD



Conforms to ANSI/UL Std. 1598
Cert. to CAN/CSA Std. 22.2 No. 250.0



3